

STACKING PRISONER TRAY SERVER

13" x 14" Insulated Compartment Trays, Double Deep

DOUBLE DEEP - NON-HEATED / NON-INSULATED CORRECTIONAL "ETC-1314" SERIES

Heavy-duty correctional transport carts are designed to serve insulated trays efficiently & securely

- 1 Standard tamper resistant features suited for minimum to maximum security environments include:
 - a Super-duty, full perimeter bumper
 - b Tamper-proof fasteners throughout
 - c Heavy-duty, stainless steel hinges
 - d Pad-locking transport latches
 - e Tubular, stainless steel push handles
 - f 18 gauge stainless steel exterior
 - g Paddle latch
- 2 Padlocking security transport latch keeps doors closed while in motion
- 3 Heavy-duty, 12 gauge, stainless steel hinges keep doors properly aligned for years of use, secured with tamper-proof screws
- 4 Transport and serve meal delivery trays. Ideal for cook and serve applications such as cell block, satellite, and cafeteria
- 5 Center-hinged doors open fully to lay flat and out of the way for easy loading and unloading
- 6 Specifically designed to withstand the correctional environment. Our cabinets are built tough with the most durable parts, welded construction, and our exclusive tubular stainless steel base frame to absorb shock during transport

***One year limited warranty**



Tamper-proof Screws



Padlocking Security Latch



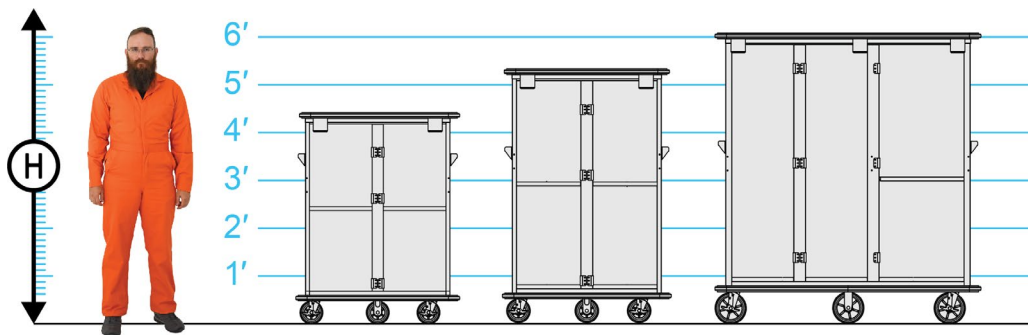
Doors Lay Flat



Built for Transport

SPECIFICATIONS

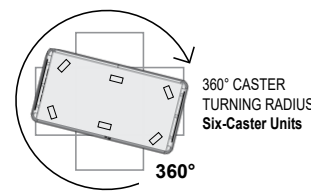
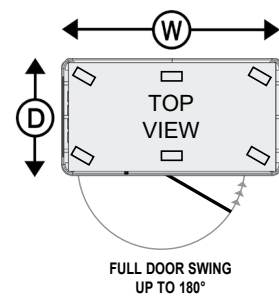
STACKING PRISONER TRAY SERVER



MODEL NUMBER	INSULATED TRAY CAPACITIES [A] 13"x14"x2.5" Stacking Compartment Trays	OVERALL EXTERIOR DIMENSIONS IN. (mm) (Height Includes Casters)			NO. OF SHELVES	NO. OF DOORS	CASTER SIZE	SHIP WT. LBS. (KG)
		HIGH "H" (mm)	DEEP "D" (mm)	WIDE "W" (mm)				
	64	55" (1397)	35" (889)	42.75" (1086)	2	2	6"	325 (148)
	80	64" (1626)	35" (889)	42.75" (1086)	2	2	6"	340 (155)
	96	74" (1880)	35.25" (896)	67.75" (1721)	1	3	8"	555 (256)

Consult Factory for SHIPPING CLASS

[A] ETC-1314-64 and ETC-1314-80 capacities shown with fixed shelf. Trays not included. Contact individual manufacturers for trays. Sample (trays) required with order.



CONSTRUCTION. Heliarc welded, single unit construction of 18 gauge stainless steel. Welded tubular base frame shall be 1" square, heavy gauge stainless steel tubing, with 10 gauge stainless steel reinforcing plates at corners and fittings.

HANDLES. Heavy-duty, 1" diameter tubular stainless steel push handles mounted on each end of the unit.

BUMPER. Solid continuous wraparound aluminum channel, bolted to frame, with snap-in, non-marking replaceable vinyl cushion. Full perimeter bumper extends beyond doors, handles, etc., for added protection. Shall be continuous, with corner cut-outs to facilitate cleaning.

DOORS AND LATCHES. Each stainless steel, insulated door shall have three (3) heavy-duty, 12 gauge stainless steel hinges. Each door shall be equipped with a positive closing, flush-in-door, stainless steel paddle latch. The hinge and latch mountings are reinforced with stainless steel backing plates. Each door shall be provided with padlock compatible transport/security latch (padlock not included).

CASTERS. Maintenance free, Multi-Terrain casters with sealed precision ball bearing, in a configuration of two (2) rigid and four (4) swivel with brake. Casters shall have a reinforced yoke mounted to 10 gauge stainless steel reinforcing stress plate via welded-in-place stainless steel studs. The reinforcing stress plates shall be welded to the heavy gauge tubular frame of the unit.

PITCHED DRAIN. Pitched center drain to facilitate thorough cleaning of interior. Models shall have one (1) drain per door.

INSTALLATION. Unit should not be installed in an area where adverse environmental conditions are present.

- DOORS**
Alternate door swing configurations
- CASTERS**
Larger casters
Master casters
- EXTRAS**
Beverage urn angles
(on select models)