

Fusion

Product Specifications

ITEM NO: _____
 PROJECT: _____
 DATE: _____

Inline Refrigerated Service Case

Lengths include end panels
 37"L x 43"D x 51-3/4"H
 50"L x 43"D x 51-3/4"H
 63"L x 43"D x 51-3/4"H
 76"L x 43"D x 51-3/4"H

- FB3S-2R
- FB4S-3R
- FB5S-4R
- FB6S-5R



MODEL SHOWN: FB4S-3R

STANDARD FEATURES

- Remote w/thermostat, solenoid & TXV
- 15-5/8" Toe kick
- Blue Fin coated coil
- Condiment pan support rails
- Electrical leads
- Integrated average product temperature of 40°F or less
- NOTE: Pans not supplied with case.
- NOTE: Remote only available w/rail base w/shims. N/A w/ levelers, casters or legs.
- One year parts & labor warranty
- Rail system for shims
- Rear wrapping board, white Sanalite®
- Stainless steel interior

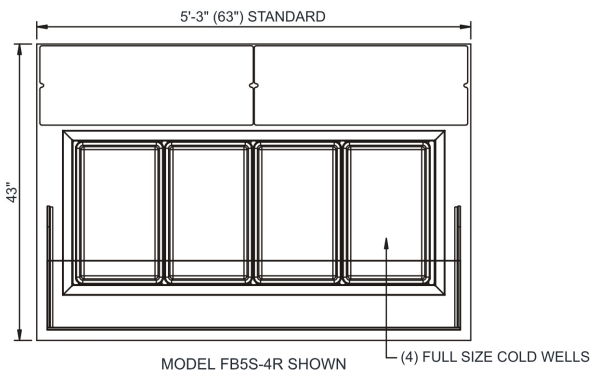
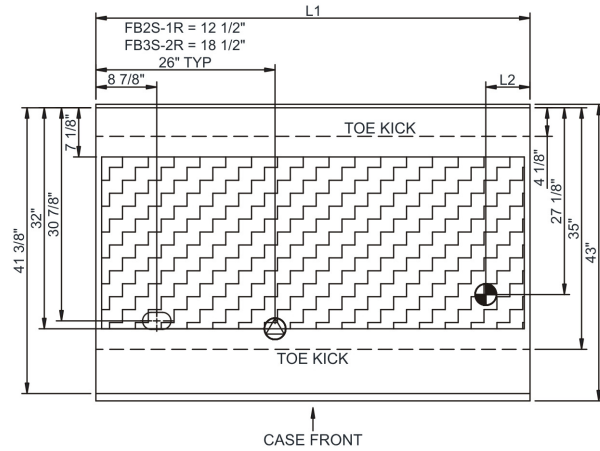
Features	Standard	Options
EXTERIOR COLOR	<input type="checkbox"/> Laminated (non-premium) Confirm pattern/grain direction	<input type="checkbox"/> Laminated (premium) Confirm pattern/grain direction <input type="checkbox"/> Painted (stock colors, specify RAL#) <input type="checkbox"/> Stainless steel
COUNTER	<input type="checkbox"/> Stainless steel	<input type="checkbox"/> 3 cm. Quartz
REAR STORAGE	<input type="checkbox"/> Non-refrigerated rear storage (w/o doors)	<input type="checkbox"/> Non-refrigerated rear storage w/ sliding doors <input type="checkbox"/> Refrigerated rear storage w/ sliding doors
TOE KICK	<input type="checkbox"/> Painted - Black	<input type="checkbox"/> Stainless steel
SNEEZE GUARD	<input type="checkbox"/> Clear sneeze guard glass w/ stainless steel posts	<input type="checkbox"/> UV bonded frameless glass (3" glass gaps case-to-case)
REFRIGERATION	<input type="checkbox"/> Remote w/thermostat, solenoid & TXV	<input type="checkbox"/> Note: Remote doesn't incl Conds unit. Floor drain reqd.
MISCELLANEOUS		<input type="checkbox"/> Second year parts & labor warranty

Fusion

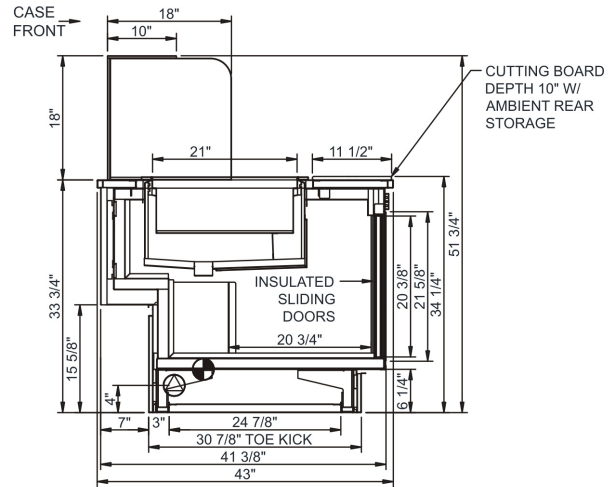
Product Specifications

Intended Environment: Type I - Designed to operate in ambient conditions of 75°F with 55% relative humidity unless noted otherwise in system information below.	
Zone	Intended Product To Be Displayed
1	Unpackaged refrigerated products
Warmest Avg Prod Temp ° F	
40	

PLAN VIEW



SIDE VIEW



NOTE: ALL DIMENSIONS APPROXIMATE

- ELECTRICAL JUNCTION BOX (SUPPLIED WITH 6" LEADS OR POWER CORD).
- REMOTE FLOOR SINK & UTILITIES ACCESS AREA.
- LOCATION OF DRAIN TUBE FOR REMOTE REF. ONLY (SUPPLIED WITH 3/4" OR 1 1/2" PVC TUBE).
- REFRIGERATION LINE CONNECTION.
- SELF-CONTAINED CASE SERVICE ACCESS AREA.
- DRY CASE SERVICE ACCESS AREA.

Model Technical Specifications

Model	L"	L1"	L2"	System	Circuit	Volts	Phs	Freq	Amps ***	Watts	Wires	NEMA Plug	SST	Conv. Rack BTUH	Para. Rack BTUH	Est Wt
FB3S-2R	N/A	37.00	6.38	Remote(Type I)	Circuit #1	110-120	1	60	1.06	104	2+G	Leads Multiple	20.00	1123	1040	600
FB4S-3R	N/A	50.00	6.38	Remote(Type I)	Circuit #1	110-120	1	60	1.17	117	2+G	Leads Multiple	20.00	1296	1200	750
FB5S-4R	N/A	63.00	6.38	Remote(Type I)	Circuit #1	110-120	1	60	1.27	128	2+G	Leads Multiple	20.00	1469	1360	900
FB6S-5R	N/A	76.00	6.38	Remote(Type I)	Circuit #1	110-120	1	60	1.36	140	2+G	Leads Multiple	20.00	1642	1520	1,100

*** Does not include electric defrost on freezer models.

Important Notes:

- 1) **ELECTRICAL NOTE:** If GFCI is required, a GFCI breaker MUST be used in lieu of a GFCI receptacle
- ⚠ WARNING:** This product can expose you to chemicals, including Urethane (Ethyl Carbamate), which are known to the State of California to cause cancer and birth defects or other reproductive harm. For more information go to www.P65Warnings.ca.gov.

Regulatory Approvals:

All Models	Accordance with AHRI Std 1200 ETL Listed to UL 471 ETL Listed to CAN/CSA 22.2 No. 120 ETL Sanitation to NSF 7
------------	--



In Accordance with
AHRI Std 1200

DOE 2017
Energy Efficiency
Compliant