



# Electrolux

## Vegetable Slicer TR260 Vegetable Slicer - 2 Speed - lever hopper-208V

ITEM # \_\_\_\_\_  
 MODEL # \_\_\_\_\_  
 NAME # \_\_\_\_\_  
 SIS # \_\_\_\_\_  
 AIA # \_\_\_\_\_



Electrolux

TR260 Vegetable Slicer - 2 Speed - lever hopper-208V  
Vegetable Slicer



Vegetable Slicer

TR260 Vegetable Slicer - 2 Speed - lever hopper-208V

603286 (TR260FH23U) TR260 VEG.SLICER+LEVER HOPPER (2 Speed) 208V

### Short Form Specification

#### Item No.

TR26023U-High Volume Production Vegetable Cutter, continuous feed design, large single feed hopper, handle pusher, standard ejector, stainless steel construction, 2-2/3 HP, 208-240v/60/3, 8.3 amps, 2 kW, NEMA L15-20P



APPROVAL: \_\_\_\_\_

### Main Features

- Continuous feed model.
- Optional stainless steel mobile stand accessory.
- Magnetic safety system and motor brake. Prevents machine from running when lever swings away or is open.
- Available upon request:
  - Automatic hopper (dia=280 mm), lever-operated hopper, long vegetable hopper (3 tubes) and cabbage hopper.
- Complete selection of blades and dicing grids available (diameter 300 mm).
- Vegetable slicer unit has slicing, grating, shredding (julienne) as well as dicing and french fries capabilities.
- "No volt release" safety device.
- Available as option a long vegetable accessory to fit in the lever operated hopper converting it into a long vegetable hopper (3 cylindrical hoppers: 50, 59,5, 70 mm diameter)
- Suitable for up to 600 meals for table service and up to 2000 meals for catering service.

### Construction

- 2 speed: 330-660 rpm.
- Power: 2000 or 2200 watts.
- Capacity depending on the hopper:
  - lever hopper: 700kg/h
  - automatic hopper: 2500kg/h

### Included Accessories

- 1 of Lever feed hopper. PNC 653510

### Optional Accessories

- Feed tray to be combined with cabbage hopper & long vegetable hopper PNC 650036
- Grating Blade for parmesan, stainless steel PNC 650148
- Grating Blade, for nuts, chocolate and bread crumbs, stainless steel PNC 650149
- Grating Blade, stainless steel 1/16" (2mm) PNC 650150
- Grating Blade, stainless steel 1/8" (3mm) PNC 650151
- Grating Blade, stainless steel 5/32" (4mm) PNC 650152
- Grating Blade, stainless steel 9/32" (7mm) PNC 650153
- - NOT TRANSLATED - PNC 650154
- Grating Blade for mozzarella, stainless steel 9/32" (7mm) (to be used with cabbage feed hopper) PNC 650155
- Grating Blade for mozzarella, stainless steel 23/64" (9mm) (to be used with cabbage feed hopper) PNC 650156
- Grating Blade for cabbage, stainless steel 9/32" (7mm) with central shaft for stem removal (to be used with cabbage feed hopper) PNC 650157

Electrolux Professional, Inc.

www.electroluxusa.com/professional

10200 David Taylor Drive, Charlotte, NC 28262 • Telephone Number: 866-449-4200 • Fax Number: 704-547-7401



**Electrolux**

**Vegetable Slicer  
TR260 Vegetable Slicer - 2 Speed -  
lever hopper-208V**

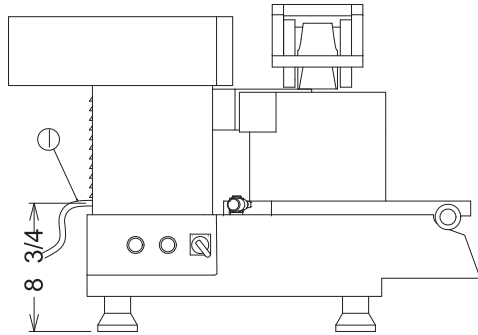
- Grating Blade for cabbage, stainless steel PNC 653009  
1/32" (1mm) with central shaft for stem  
removal (to be used with cabbage feed  
hopper)
- Mobile stand, stainless steel PNC 653017
- Automatic hopper for TR260 PNC 653037
- Cabbage hopper for TR260 PNC 653048
- Dicing Grid, 3/8" (10mm) PNC 653051
- Dicing Grid, 5/8" (16mm) PNC 653052
- Dicing Grid, 3/4" (20mm) PNC 653053
- Dicing Grid, 15/16" (25mm) PNC 653054
- Dicing Grid, 1-1/4" (32mm) PNC 653055
- Slicing Blade, 1/16" (2mm) PNC 653172
- Slicing Blade, 1/8" (3mm) PNC 653173
- Slicing Blade, 1/32" (1mm) PNC 653188
- Slicing Blade, 3/16" (5mm) PNC 653189
- Slicing Blade, 1/4" (6mm) PNC 653190
- Slicing Blade, 5/16" (8mm) PNC 653191
- Slicing Blade, 3/8" (10mm) PNC 653192
- Slicing Blade, 5/8" (16mm) PNC 653193
- Julienne Blade, 1/16" (2x2mm) PNC 653195
- Julienne Blade, 1/8" (3x3mm) PNC 653196
- Julienne Blade, 5/32" (4x4mm) PNC 653197
- Julienne Blade, 1/4" (6x6mm) PNC 653198
- Julienne Blade, 5/16" (8x8mm) PNC 653199
- Julienne Blade, 3/8" (10x10mm) PNC 653200
- Blade rack, stainless steel PNC 653212
- Crinkle Cut Blade, 1/16" (2mm) PNC 653217
- Crinkle Cut Blade, 1/8" (3mm) PNC 653218
- Crinkle Cut Blade, 1/4" (6mm) PNC 653219
- Long vegetable accessory, for lever-  
operated hopper (to change the lever-  
operated hopper into long vegetable  
hopper) PNC 653223
- Grating Blade for cabbage, stainless steel PNC 653227   
1/6" (2mm) with central shaft for stem  
removal (to be used with cabbage feed  
hopper)
- Grating Blade for cabbage, stainless steel PNC 653228   
1/8" (3mm) with central shaft for stem  
removal (to be used with cabbage feed  
hopper)
- Dicing Grid, 1/2" (12mm) PNC 653301
- Long vegetable hopper with 3 tubes. PNC 653306
- Lever feed hopper. PNC 653510



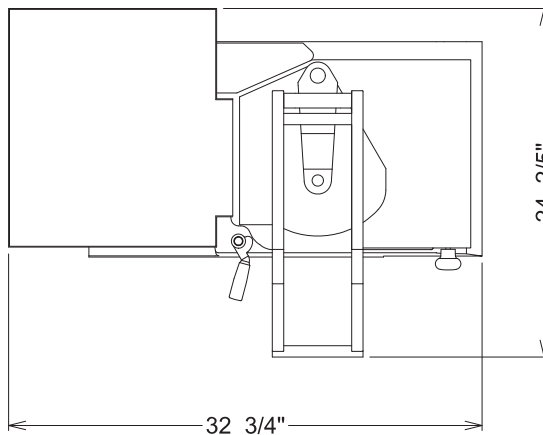
**Electrolux**

# Vegetable Slicer TR260 Vegetable Slicer - 2 Speed - lever hopper-208V

Front

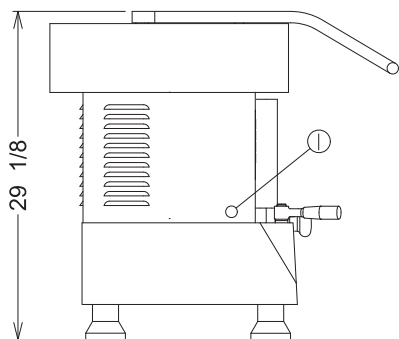


Top



EI = Electrical connection

Side



## Electric

Supply voltage:

603286 (TR260FH23U) 208-240 V/3 ph/60 Hz

Electrical power, max: 2 kW

Total Watts: 2 kW

## Key Information:

External dimensions, Width: 29 1/2" (750 mm)

External dimensions, Depth: 14 15/16" (380 mm)

External dimensions, Height: 18 1/8" (460 mm)

Shipping width: 31 1/2" (800 mm)

Shipping depth: 19 11/16" (500 mm)

Shipping height: 47 1/4" (1200 mm)

Shipping weight: 146 lbs (66 kg)

Vegetable Slicer  
TR260 Vegetable Slicer - 2 Speed - lever hopper-208V

The company reserves the right to make modifications to the products without prior notice. All information correct at time of printing.

2017.01.10