



## Vegetable Slicer TRS Vegetable Slicer

ITEM # \_\_\_\_\_  
 MODEL # \_\_\_\_\_  
 NAME # \_\_\_\_\_  
 SIS # \_\_\_\_\_  
 AIA # \_\_\_\_\_



Vegetable Slicer  
TRS Vegetable Slicer



600474 (TRS22YU)

VEGETABLE SLICER-1  
SPEED-370W-100-120W/1p-  
h/60Hz

600475 (TRS23YU)

VEGETABLE SLICER-1  
SPEED-500W-100-120W/1p-  
h/60Hz

### Short Form Specification

**Item No.** \_\_\_\_\_

TRS Vegetable Cutter, heavy duty, single speed (400 RPM), designed for high volume dicing requirements, stainless steel hopper and lever, rear handle, removable cutting chamber and ejector plate. Metal motor housing. 370W or 500W models, 1/2 HP motor.  
Cutting discs NOT included.

### Main Features

- Suitable for 100-400 meals for table service and up to 800 meals for catering service.
- Vegetable slicer unit has slicing, grating, shredding (julienne) as well as dicing and french fries capabilities.
- Ergonomically designed for right and left-handed users, frontal working and to reduce working space around the machine.
- All parts in contact with food are removable without the use of tools, stainless steel hopper, stainless steel lever and cutting chamber are dishwasher safe.
- Hopper easily removed for cleaning.
- Base inclined at 20° to provide easy loading and unloading.
- High discharge zone permits the use of deep containers up to 8" high (20cm).
- Complete and wide selection of blades and grids available, Diameter of blades and grids are 8" (205mm).
- Pulse function for precise cutting.
- Magnetic safety system and motor brake. Prevents machine from running when lever swings away or is open.
- Automatic restart of the machine with the 3/4 moon shaped pusher in position.
- Continuous feed model.
- Large round (long vegetable) and large 3/4 moon feed hoppers.
- Delivered with: All stainless steel vegetable prep attachment with a lever-integrated long vegetable hopper and a large round hopper.

### Construction

- Power: 500 W (only for 600475)
- Compact and portable design.
- Improved ventilation system to manage smoothly heavy duty use.
- Reinforced basement and feet to withstand the continuous movements of the unit.
- Improved fixing of long vegetable hopper pusher.
- Power: 370 watts (only for 600474)
- 1 speed: 400 rpm - for precise cutting, slicing and dicing.
- Rear handle for ergonomic and safe movement.

### Included Accessories

- 1 of TRS & TRK ejector plate PNC 653772

### Optional Accessories

- Julienne Disc 5/32" (4mm) PNC 650077
- Julienne Disc 1/4" (6mm) PNC 650078
- Julienne Disc 5/16" (8mm) PNC 650079
- Julienne Disc 3/8" (10mm) PNC 650080



APPROVAL: \_\_\_\_\_



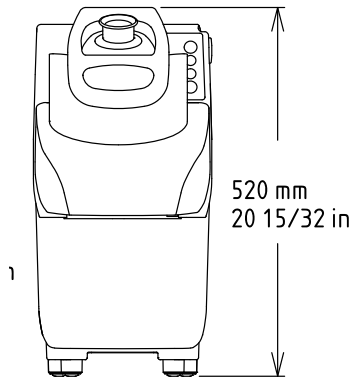
- Slicing Disc 0.6mm (can be combined with PNC 650081 Dicing Grids (MT) and Grids for Chips (FT))
- Slicing Disc 1/32" (1mm) (can be combined with PNC 650082 Dicing Grids (MT) and Grids for Chips (FT))
- Slicing Disc 5/64" (2mm) (can be combined with PNC 650083 Dicing Grids (MT) and Grids for Chips (FT))
- Slicing Disc 1/8" (3mm) (can be combined with PNC 650084 Dicing Grids (MT) and Grids for Chips (FT))
- Slicing Disc 5/32" (4mm) (can be combined with PNC 650085 Dicing Grids (MT) and Grids for Chips (FT))
- Slicing Disc 3/16" (5mm) (can be combined with PNC 650086 Dicing Grids (MT) and Grids for Chips (FT))
- Slicing Disc 1/4" (6mm) (can be combined with PNC 650087 Dicing Grids (MT) and Grids for Chips (FT))
- Slicing Disc 5/16" (8mm) (can be combined with PNC 650088 Dicing Grids (MT) and Grids for Chips (FT))
- Wavy Slicing Disc 5/64" (2mm) (can be combined with PNC 650089 Dicing Grids (MT) and Grids for Chips (FT))
- Wavy Slicing Disc 1/8" (3mm) (can be combined with PNC 650090 Dicing Grids (MT) and Grids for Chips (FT))
- Wavy Slicing Disc 1/4" (6mm) (can be combined with PNC 650091 Dicing Grids (MT) and Grids for Chips (FT))
- Bistrot Pack, Stainless Steel Disc Set containing one each of: C2S 5/64" (2mm) slicing disc, C5S 3/16" (5mm) slicing disc, J2X 5/64" (2mm) grating disc
- Gastronomy Pack, Stainless Steel Disc Set containing one each of: C2S 5/64" (2mm) slicing disc, C5S 3/16" (5mm) slicing disc, J2X 5/64" (2mm) grating disc, AS4X 5/32" x5/32" (4x4mm) shredding disc, C10PS 3/8" (10mm) presser/slicer, MT10T 3/8"x3/8" (10x10mm) dicing grid
- Julienne Disc 5/64" x 5/16" (2 x 8mm)
- Julienne Disc 5/64" x 3/8" (2 x 10mm)
- Slicing Disc 3/8" (10mm) (can be combined with PNC 650160 Dicing Grids (MT) and Grids for Chips (FT))
- Slicing Disc 15/32" (12mm) (can be combined with PNC 650161 Dicing Grids (MT) and Grids for Chips (FT))
- Wavy Slicing Disc 5/16" (8mm) (can be combined with PNC 650162 Dicing Grids (MT) and Grids for Chips (FT))
- Wavy Slicing Disc 3/8" (10mm) (can be combined with PNC 650164 Dicing Grids (MT) and Grids for Chips (FT))
- Slicing Disc 33/64" (13mm) (can be combined with PNC 650165 Dicing Grids (MT) and Grids for Chips (FT))
- Julienne Disc 5/64" (2mm)
- Julienne Disc 1/8" (3mm)
- Set of 4 Stainless Steel Discs containing one each of: C2S 5/64" (2mm) slicing disc, C5S 3/16" (5mm) slicing disc, J2X 5/64" (2mm) grating disc and J7X 9/32" (7mm) grating disc
- Set of 7 Stainless Steel Discs containing one each of: C2S 5/64" (2mm) slicing disc, C5S 3/16" (5mm) slicing disc, J2X 5/64" (2mm), J7X 9/32" (7mm) grating disc, AS4X 5/32"x5/32" (4x4mm) shredding disc, C10PSB 3/8" (10mm) presser/slicer, MT10T 3/8"x3/8" (10x10mm) dicing grid
- Stainless steel work table assembly.
- Dicing Grid 3/16" x 3/16" (5 x 5mm) (can be combined with Slicing Discs [C] and Wavy Slicing Discs (CW))
- Dicing Grid 5/16" x 5/16" (8 x 8mm) (can be combined with Slicing Discs [C] and Wavy Slicing Discs (CW))
- Dicing Grid 3/8" x 3/8" (10 x 10mm) (can be combined with Slicing Discs [C] and Wavy Slicing Discs (CW))
- Dicing Grid 15/32" x 15/32" (12 x 12mm) (can be combined with Slicing Discs [C] and Wavy Slicing Discs (CW))
- Dicing Grid 25/32" x 25/32" (20 x 20mm) (can be combined with Slicing Discs [C] and Wavy Slicing Discs (CW))
- Grid for Chips 1/4" (6mm) (can be combined with Slicing Discs [C] and Wavy Slicing Discs (CW))
- Grid for Chips 5/16" (8mm) (can be combined with Slicing Discs [C] and Wavy Slicing Discs (CW))
- Grid for Chips 3/8" (10mm) (can be combined with Slicing Discs [C] and Wavy Slicing Discs (CW))
- TRS & TRK ejector plate
- Grating Disc 5/64" (2mm)
- Grating Disc 1/8" (3mm)
- Grating Disc 5/32" (4mm)
- Grating Disc 9/32" (7mm)
- Grating Disc 11/32" (9mm)
- Grating Disc for breadcrumbs/potatoes
- Grating Disc for parmesan/chocolate



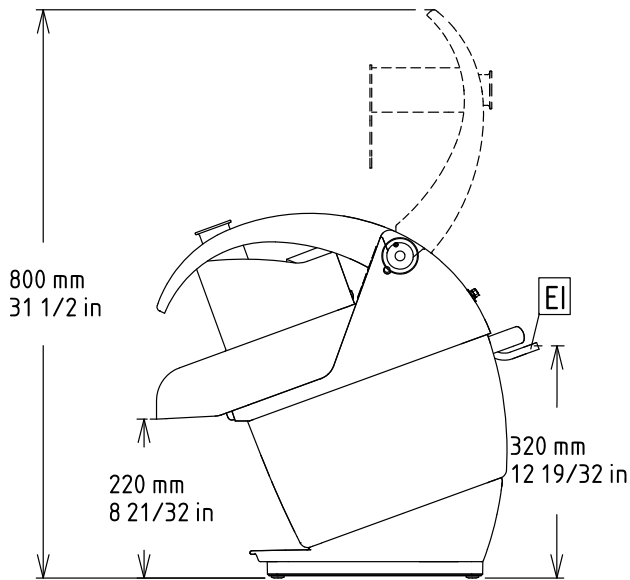
**Electrolux**

# Vegetable Slicer TRS Vegetable Slicer

Front

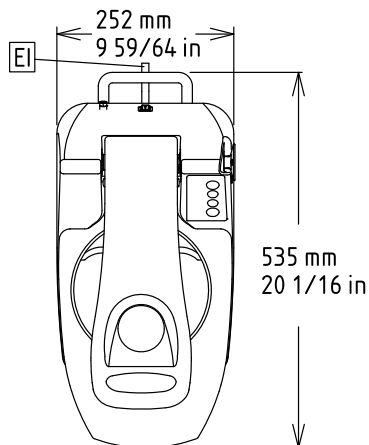


Side



EI = Electrical connection

Top



## Electric

### Supply voltage:

600474 (TRS22YU)

100-120 V/1N ph/60 Hz

600475 (TRS23YU)

100-120 V/1N ph/60 Hz

### Total Watts:

600474 (TRS22YU)

0.37 kW

600475 (TRS23YU)

0.5 kW

### Plug type:

USA NEMA 5-15P

## Key Information:

External dimensions, Width: 9 15/16" (252 mm)

External dimensions, Depth: 19 11/16" (500 mm)

External dimensions, Height: 20 1/4" (515 mm)

Shipping width: 12 13/16" (325 mm)

Shipping depth: 25 " (635 mm)

Shipping height: 23 5/8" (600 mm)

Shipping weight: 57 lbs (26 kg)



**Electrolux**

**Vegetable Slicer  
TRS Vegetable Slicer**

**Vegetable Slicer  
TRS Vegetable Slicer**

The company reserves the right to make modifications to the products  
without prior notice. All information correct at time of printing.

2018.09.14