



Electrolux

Spin Dryers
VP2 "Greens Machine" Vegetable Dryer, 20Gal (75Lt) with basket, stainless steel drum

Spin Dryers VP2 "Greens Machine" Vegetable Dryer, 20Gal (75Lt) with basket, stainless steel drum

ITEM # _____

MODEL # _____

NAME # _____

SIS # _____

AIA # _____



Spin Dryers

VP2 "Greens Machine" Vegetable Dryer,
20Gal (75Lt) with basket, stainless steel drum

600095 (VP2)

VP2 "Greens Machine"
Vegetable Dryer, 20Gal
(75Lt) with basket, stainless
steel drum

Short Form Specification

Item No. _____

VP2 "Greens Machine" Vegetable Dryer, 20Gal (75Lt) with basket, stainless steel drum, floor model, capacity approximately 16 heads of lettuce, adjustable built-in 5 minute timer, ON & OFF buttons at ergonomic height, built-in water collection reservoir, stainless steel outer drum (body), 3 casters with brakes.

SPECS: 370 watts (1/2HP) motor, 115v/60/1, 2.7 amps, NEMA 5-15P, 8ft cord

Main Features

- Dries up to 16 heads of lettuce in under 5 minutes. Other green leaves and cut vegetables can be dried as well.
- Delivered with plastic basket, equipped with handle grips for easy loading/unloading.
- Built-in 5 minute timer protected by hinged cover.
- ON/OFF water proof buttons at ergonomic height.
- Electrical braking system to stop basket rotation in a few seconds at the end of the cycle or when lid is opened.
- Ergonomically fits under working kitchen counters for storage after use.
- Built in reservoir, water can be easily collected. No need for floor drain (optional).
- Easy lock casters.
- ETL electrical and sanitation listed.
- 2 year parts warranty, 1 year labor.

Construction

- Stainless steel external drum (body).
- Removable plastic inner basket, 20Gal (75Lt) capacity.
- Hinged plastic lid with built-in safety device.
- Mounted on casters with brakes.
- Water reservoir (built-in) equipped with level indicator.
- Basket rotates at approximately 400 RPM.

Included Accessories

- 1 of Inner Basket with holes PNC 653788

Optional Accessories

- Inner Basket with holes PNC 653788



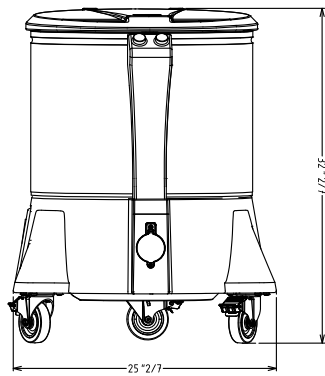
APPROVAL: _____

Electrolux Professional, Inc.

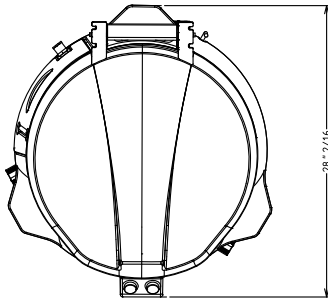
www.electroluxusa.com/professional

10200 David Taylor Drive, Charlotte, NC 28262 • Telephone Number: 866-449-4200 • Fax Number: 704-547-7401

Front

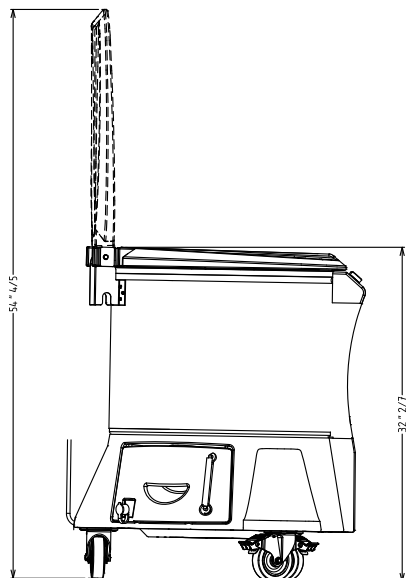


Top



EI = Electrical connection

Side



Electric

Supply voltage:	
600095 (VP2)	120 V/1N ph/60 Hz
Amps:	2.7
Total Watts:	0.37 kW
Plug type:	USA NEMA 5-15P
Horsepower:	1/2 HP

Key Information:

External dimensions, Width:	26 9/16" (675 mm)
External dimensions, Depth:	26 9/16" (675 mm)
External dimensions, Height:	32 1/64" (813 mm)
Shipping weight:	121 lbs (55 kg)