

## EMPower Open Cupboard Base - 24"

ITEM # \_\_\_\_\_

MODEL # \_\_\_\_\_

NAME # \_\_\_\_\_

SIS # \_\_\_\_\_

AIA # \_\_\_\_\_



169030 (AV24)

EMPower Open Cupboard  
Base, 24" wide

### Short Form Specification

**Item No.** \_\_\_\_\_

EMPower unit to be Electrolux Open Cupboard 24" (610 mm). EMPower unit to be installed below Electrolux top EMPower units. Construction in Stainless Steel. Right-angled side edges to allow flush fitting between EMPower units. Supplied with 6" (150 mm) height adjustable, removable legs. EMPower unit may be installed on castors.

### Main Features

- Unit to be installed below Electrolux top models.
- Right-angled side edges to allow flush fitting joints between units, eliminating gaps and possible dirt traps.
- Supplied with 6" (150 mm) height adjustable, removable legs.
- Unit may be installed on casters.
- Base compartment for storage of pots, pans, sheet pans, etc.
- Included Accessories: 4 pins for connection to top units.
- Height adjustable feet.

### Optional Accessories

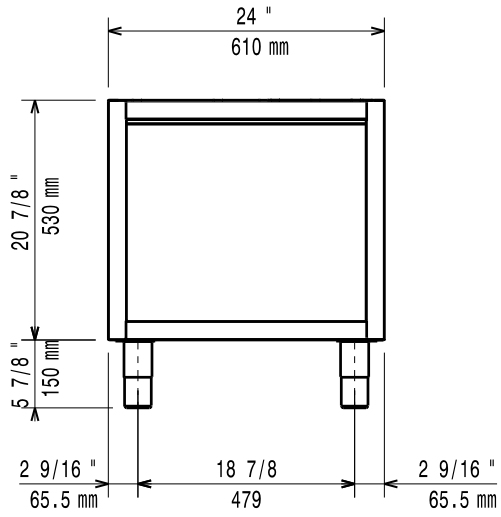
- Kit connecting bases - 2 plates and 2 wheels - 1 with brake. Suitable for pasta cookers, open bases and convection oven base PNC 169041
- EMPower kit of 2 side supports for shelf grids for 24" and 36" open cupboard bases PNC 169089
- EMPower shelf grid for 24" open cupboard base PNC 169091
- EMPower portioning shelf 12" PNC 169173
- EMPower portioning shelf 16" PNC 169174
- EMPower portioning shelf 24" PNC 169175
- Kit 4 wheels - 2 swivelling with brake - it is mandatory to install base support and 2 wheels. Suitable for pasta cookers, open bases and convection oven base PNC 206135



APPROVAL: \_\_\_\_\_



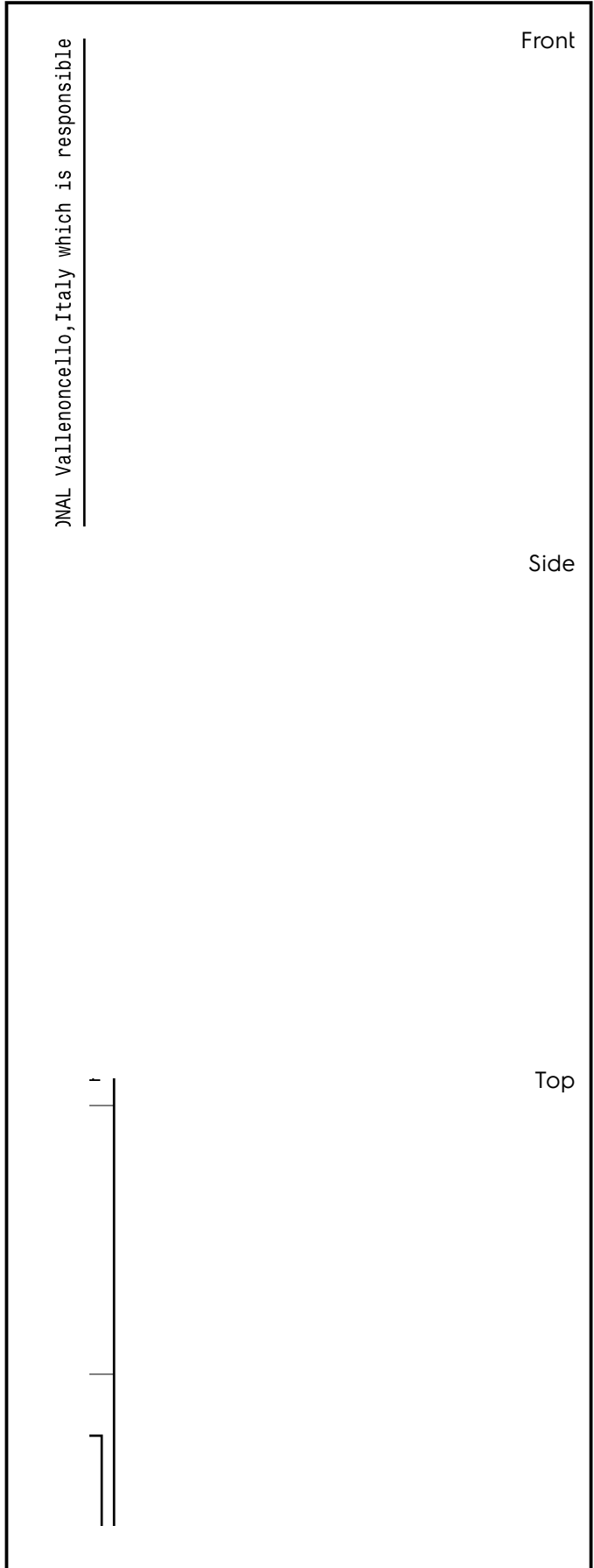
Front



Side

Top





**Key Information:****External dimensions, Width:**

**169030 (AV24)** 24 1/32" (610 mm)

**External dimensions, Depth:** 29 15/16" (760 mm)

**External dimensions, Height:** 26 11/16" (678 mm)

**Net weight:** 44 lbs (20 kg)

**Shipping width:** 26 " (660 mm)

**Shipping depth:** 35 7/16" (900 mm)

**Shipping height:** 34 1/4" (870 mm)

**Shipping weight:** 55 lbs (25 kg)

**Shipping volume:** 18.25 ft<sup>3</sup> (0.52 m<sup>3</sup>)