



# SALAD PREP TABLE

DSP48-18M-S2  
2-Door / Mega Top



## TECHNICAL SPECIFICATIONS

|                       |                 |
|-----------------------|-----------------|
| Voltage/Frequency     | 115V/60Hz       |
| Refrigerant           | R290            |
| Type of Defrost       | Automatic       |
| Interior Material     | Stainless Steel |
| Exterior Material     | Stainless Steel |
| Temperature Range °F  | 33 ~ 41°F       |
| Compressor Power (HP) | 1/5             |
| Nema Config.          | NEMA5-15P       |

## PRODUCT FEATURES

- The compressor is mounted in the back and placed in the coolest possible area; this makes it easily accessible for servicing.
- Digital temperature controls with LED display for precise adjustment and automatic defrosting system.
- Temperatures in the cabinet range from 33 to 41 degrees Fahrenheit
- Higher Resistance to dust, high quality condenser.
- R290 Natural Refrigerant promotes faster cool down and efficient energy consumption.
- Self-closing doors at 60° with stay open feature.
- Stainless steel interior & exterior, sealed interior floors, and rounded cabinet corners for easy cleaning.
- 6" deep 1/6 plastic plan included.
- High quality coated stainless adjustable shelves prevent peel and rust.
- Lifetime warranty on hinges.
- 6" casters with lock for easy mobility.

## HIGH QUALITY STAINLESS STEEL & ROBUST DESIGN



Los Angeles | San Francisco | Dallas  
Houston | Florida | Chicago | New Jersey

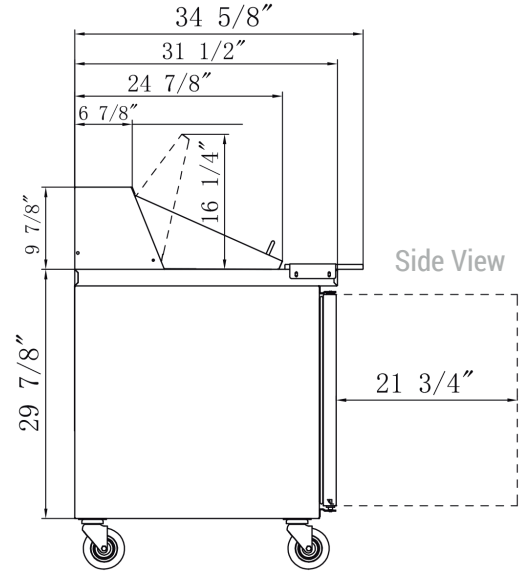
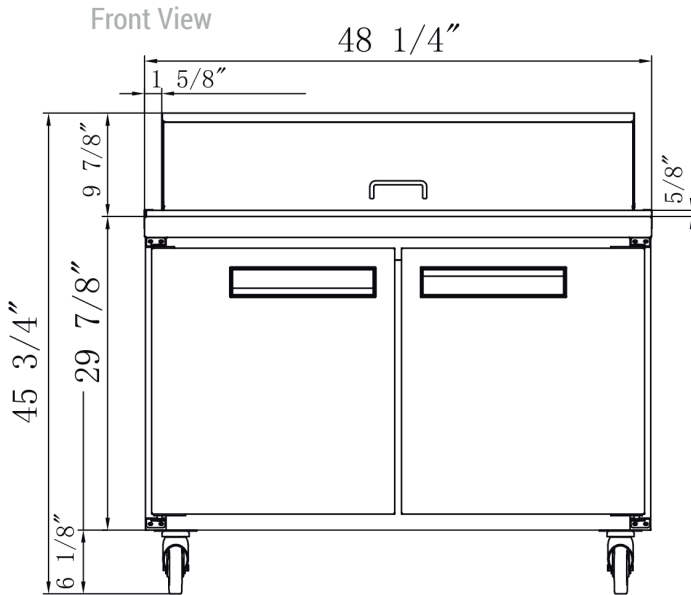
1-800-931-8628

@ info@dukersusa.com

www.DukersUSA.com

# DETAILS & SPECIFICATIONS

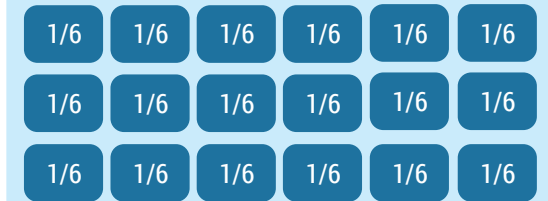
## SALAD PREP TABLE DSP48-18M-S2



### MODEL DSP48-18M-S2

|                           |             |
|---------------------------|-------------|
| Cutting Board Size        | 48 x 9      |
| Rated Voltage             | 115V        |
| Rated Frequency           | 60Hz        |
| Total Input Power         | 280W        |
| Total Current             | 2.4A        |
| Total Capacity            | 11.47 cu ft |
| Climatic Category         | 4-5         |
| Protection Type           | I           |
| Design Pressure High Side | 300 PSIG    |
| Design Pressure Low Side  | 150 PSIG    |
| Insulation Blowing Gas    | C-Pentane   |
| Refrigerant               | R290/3.17oz |

### 1/6 PAN COUNT: 18



| MODEL        | EXTERNAL DIMENSION<br>WXDXH (INCHES) | PACKAGING DIMENSION<br>WXDXH (INCHES) | PRODUCT NET<br>WEIGHT | # OF<br>SHELVES | 40HQ<br>CONTAINER CERT. |
|--------------|--------------------------------------|---------------------------------------|-----------------------|-----------------|-------------------------|
| DSP48-18M-S2 | 48 1/4 x 31 1/2 x 46                 | 52 1/2 x 35 7/8 x 48 3/8              | 231 lbs               | 2               | 42                      |



AutoQuotes



115/60/1  
NEMA-5-15P



Los Angeles | San Francisco | Dallas  
Houston | Florida | Chicago | New Jersey

1-800-931-8628

@ info@dukersusa.com

www.DukersUSA.com