



Your Solutions Partner

Specifications

F.O.B. Sedalia, Missouri 65301



TS580-xx

OPTIONS:

- Fluorescent light
- Radiant heat rod w/incandescent light - 120v (steel shelf only)
- Radiant heat rod w/switch (steel shelf only)
- Special lengths or heights
- Special finish colors

Agency Listings:



DUKE MANUFACTURING CO.

2305 N. Broadway

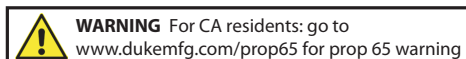
St. Louis, MO 63102

800.735.3853 Toll Free

314.231.5074 Fax

www.dukemfg.com

Specification subject to change



Approval Stamp(s):

PRODUCT INFORMATION:

PROJECT: _____

ITEM: _____

QUANTITY: _____

MODEL:

Foodshield - Designer Series - Self Service

Fits: Thurmaduke Steamtable, Aeroserv,
Thurmaduke Serving Systems

- TS580-32** Self Service Style - 2-sided
- TS580-32-1SN** Self Service Style- 1-Sided
- TS580-46** Self Service Style - 2-sided
- TS580-46-1SN** Self Service Style- 1-Sided
- TS580-60** Self Service Style - 2-sided
- TS580-60-1SN** Self Service Style- 1-Sided
- TS580-74** Self Service Style - 2-sided
- TS580-74-1SN** Self Service Style- 1-Sided
- TS580-88** Self Service Style - 2-sided
- TS580-88-1SN** Self Service Style- 1-Sided

DISPLAY SHELVES:

- 1/4" tempered glass shelves
- 18 gauge stainless steel or paint steel frames
- Choice of (12) powder coat paint colors:

ENDS:

- 18 gauge stainless steel or choice of 12 powder coat colors

GUARDS:

- Adjustable 1/4" tempered glass food shield
- Stainless steel edge trim
- Clean acrylic enclosures both ends

SIZES:

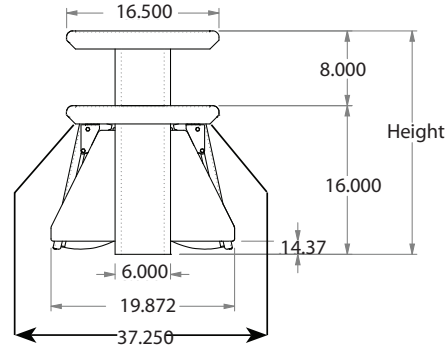
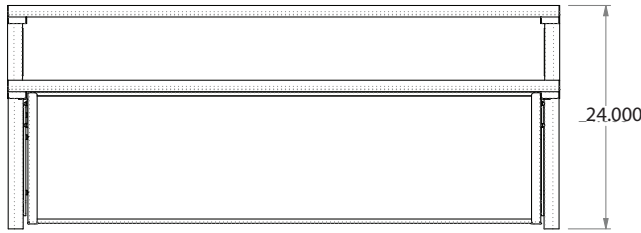
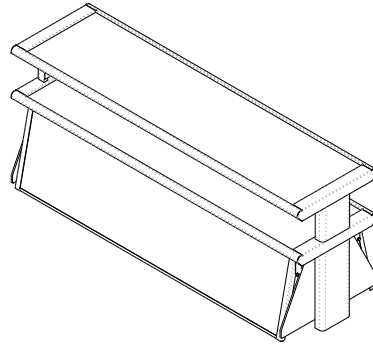
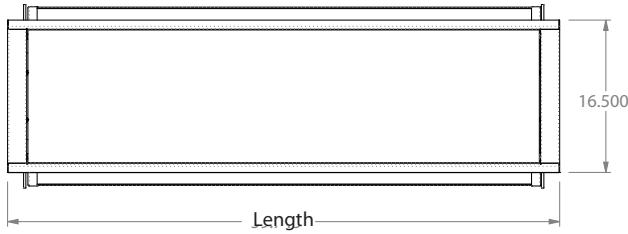
- All units available in following lengths
31-3/4", 45-3/4", 59-3/4", 73-3/4", 87-3/4"

FOODSHIELD - DESIGNER SERIES SHELF SERVICE

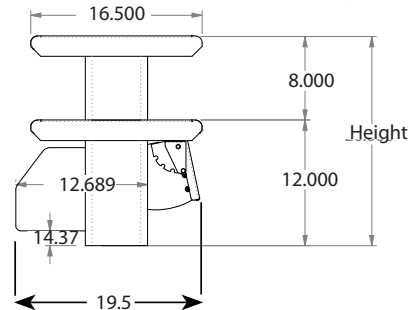
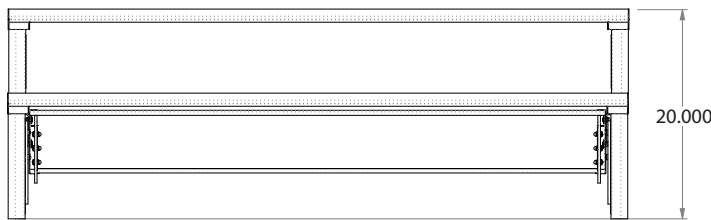
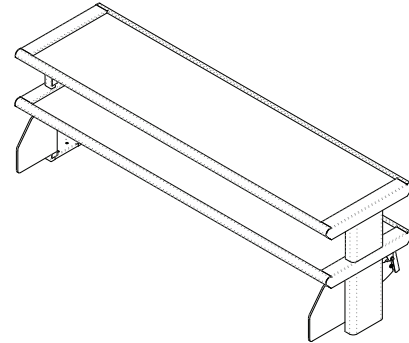
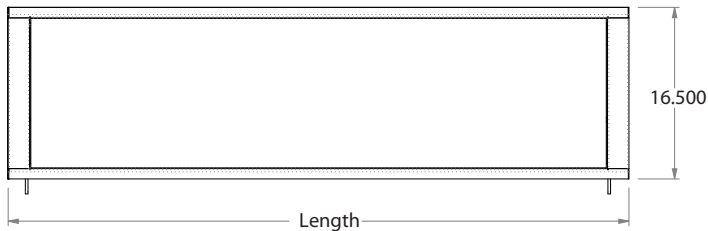
A.I.A. File No. 35-C-13

Catalog No. FS-DESIGNER

TS580-XX TWO SIDES



TS580-XX-1SN ONE SIDE



DIMENSIONS:

Self Service - 2-sided or Single (1SN), 2-tier, w glass shelves, adjustable front glass, painted or stainless end panels.

Freight Class: 125

Model	Length		Height		Width		Weight		Cube ft. Crated	Model	Length		Height		Width		Weight		Cube Ft. Crated
	in.	cm	in.	cm	in.	cm	lbs.	kg			in.	cm	in.	cm	in.	cm	lbs.	kg	
TS580-32	32	81.3	24	50.8	37.250	78.7	85	38.6	16.5	TS580-32-1SN	32	81.3	20	50.8	19.5	57.2	65	29.6	12.6
TS580-46	46	116.8	24	50.8	37.250	78.7	100	45.5	22.5	TS580-46-1SN	46	116.8	20	50.8	19.5	57.2	80	36.4	17.3
TS580-60	60	152.4	24	50.8	37.250	78.7	120	54.6	28.6	TS580-60-1SN	60	152.4	20	50.8	19.5	57.2	100	45.5	21.9
TS580-74	74	188.0	24	50.8	37.250	78.7	145	65.9	34.7	TS580-74-1SN	74	188.0	20	50.8	19.5	57.2	125	56.8	26.6
TS580-88	88	223.5	24	50.8	37.250	78.7	165	75.0	40.8	TS580-88-1SN	88	223.5	20	50.8	19.5	57.2	145	65.9	31.2

FOODSHIELD - DESIGNER SERIES



Duke Manufacturing Co.
2305 N. Broadway
St. Louis, MO 63102

Phone: 314-231-1130
Toll Free: 1-800-735-3853
Fax: 314-231-5074

www.dukemfg.com