



Your Solutions Partner

# Specifications

F.O.B. Sedalia, Missouri 65301



TS570-xx

### OPTIONS:

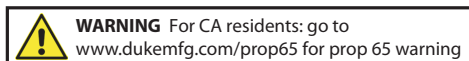
- Fluorescent light
- Radiant heat rod w/incandescent light - 120V (steel shelf only)
- Radiant heat rod w/switch (steel shelf only)
- Special lengths or heights
- Special finish colors

### Agency Listings:



DUKE MANUFACTURING CO.  
 2305 N. Broadway  
 St. Louis, MO 63102  
 800.735.3853 Toll Free  
 314.231.5074 Fax  
 www.dukemfg.com

Specification subject to change



### Approval Stamp(s):

### PRODUCT INFORMATION:

PROJECT: \_\_\_\_\_

ITEM: \_\_\_\_\_

QUANTITY: \_\_\_\_\_

### MODEL: Foodshield - Designer Series - Full Service

Fits: Thurmaduke Steamtable, Aeroserv, Thurmad-uke Serving Systems

- TS570-32
- TS570-46
- TS570-60      Full Service Style - Glass Top
- TS570-74
- TS570-88

### TOP SHELF:

- 1/4" tempered glass shelf
- 18 gauge stainless steel or paint steel frame
- Choice of (12) powder coat paint colors (must choose one):

### ENDS:

- 18 gauge stainless steel or choice of 12 powder coat colors

### GUARDS:

- Adjustable 1/4" tempered glass food shield
- Stainless steel edge trim
- Clear acrylic enclosures both ends

### SIZES:

- All units available in following lengths  
 31-3/4", 45-3/4", 59-3/4", 73-3/4", 87-3/4"

FOODSHIELD - DESIGNER SERIES

Catalog No. FS-DESIGNER

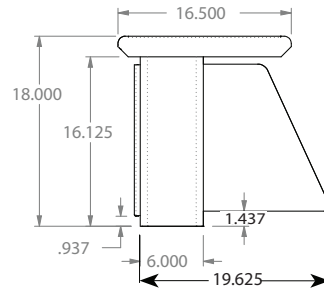
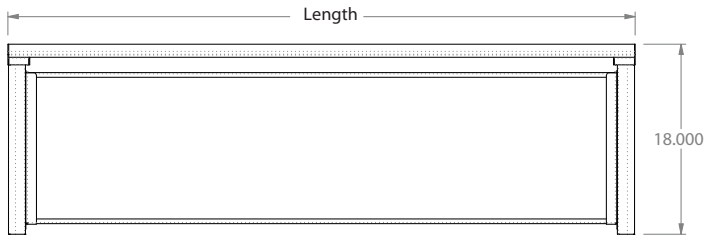
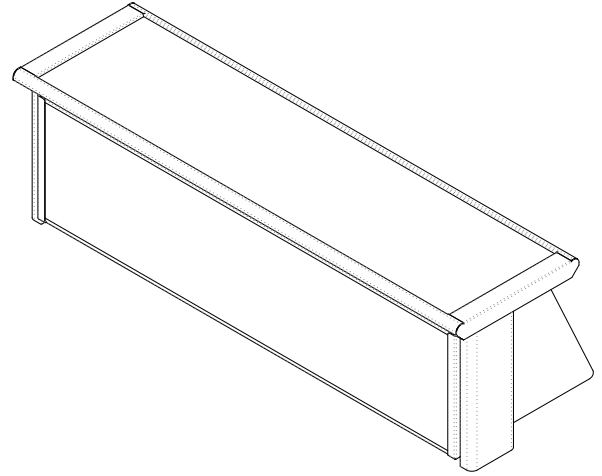
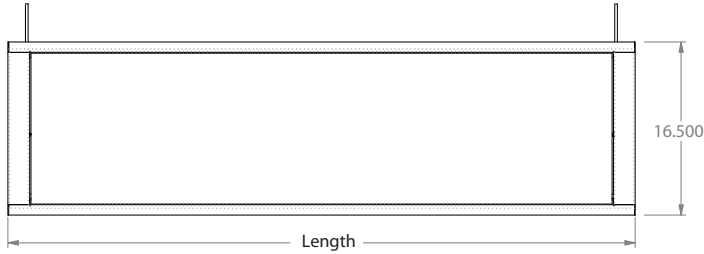
A.I.A. File No. 35-C-13

# FOODSHIELD - DESIGNER SERIES

## FULL SERVICE - GLASS TOP

A.I.A. File No. 35-C-13

Catalog No. FS-DESIGNER



DIMENSIONS: Freight Class: 125  
 Full Service Style, w/stainless steel or painted top, painted or stainless end panels.

Model	Length		Height		Width		Weight		Cube ft. Crated
	in	cm	in	cm	in	cm	lbs	kg	
<b>TS570-32</b>	32	81.3	18	45.7	19.625	49.8	58	26.4	9.4
<b>TS570-46</b>	46	116.8	18	45.7	19.625	49.8	78	35.5	13.3
<b>TS570-60</b>	60	152.4	18	45.7	19.625	49.8	108	49.1	16.2
<b>TS570-74</b>	74	188.0	18	45.7	19.625	49.8	128	58.2	19.7
<b>TS570-88</b>	88	223.5	18	45.7	19.625	49.8	148	67.3	23.1

FOODSHIELD - DESIGNER SERIES



**Duke Manufacturing Co.**  
 2305 N. Broadway  
 St. Louis, MO 63102

Phone: 314-231-1130  
 Toll Free: 1-800-735-3853  
 Fax: 314-231-5074

[www.dukemfg.com](http://www.dukemfg.com)

Printed in U.S.A  
 © 2020, Duke Manufacturing Co.