



Your Solutions Partner

Specifications

F.O.B. Sedalia, Missouri 65301



TS-454-32

OPTIONS:

- Full length Fluorescent light
- Heat lamps
- Heat lamps with incandescent lights
- Special lengths
- Powder coat painted frames & shelf

Approval Stamp(s):

PRODUCT INFORMATION:

PROJECT: _____

ITEM: _____

QUANTITY: _____

MODEL: Foodshield - Serving Shelf

Fits: Thurmaduke Steamtable, Heritage, Buffet, AeroServ, Thurmaduke and Expressions Serving Systems

- TS-454-32 Traditional Serving Shelf/
- TS-454-46 Protector
- TS-454-60 guard and shelf
- TS-454-74
- TS-454-88

TOP SHELF:

- 14 gauge stainless steel

FRAMES:

- 1" square stainless steel tubing

GUARDS:

- Flip-down 1/4" thick tempered glass with stainless steel trim
- Full service style
- Clear acrylic enclosures both ends

SIZES:

- All units available in following lengths
31", 45", 59", 73", 87"

Agency Listings:



DUKE MANUFACTURING CO.

2305 N. Broadway

St. Louis, MO 63102

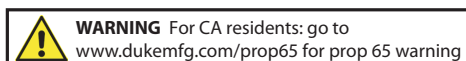
800.735.3853 Toll Free

314.231.5074 Fax

www.dukemfg.com

SS-1190 Food Guard - Traditional Serving Shelf

Specification subject to change



FOODSHIELD -SERVING SHELVES

Catalog No. FS-SHELVES

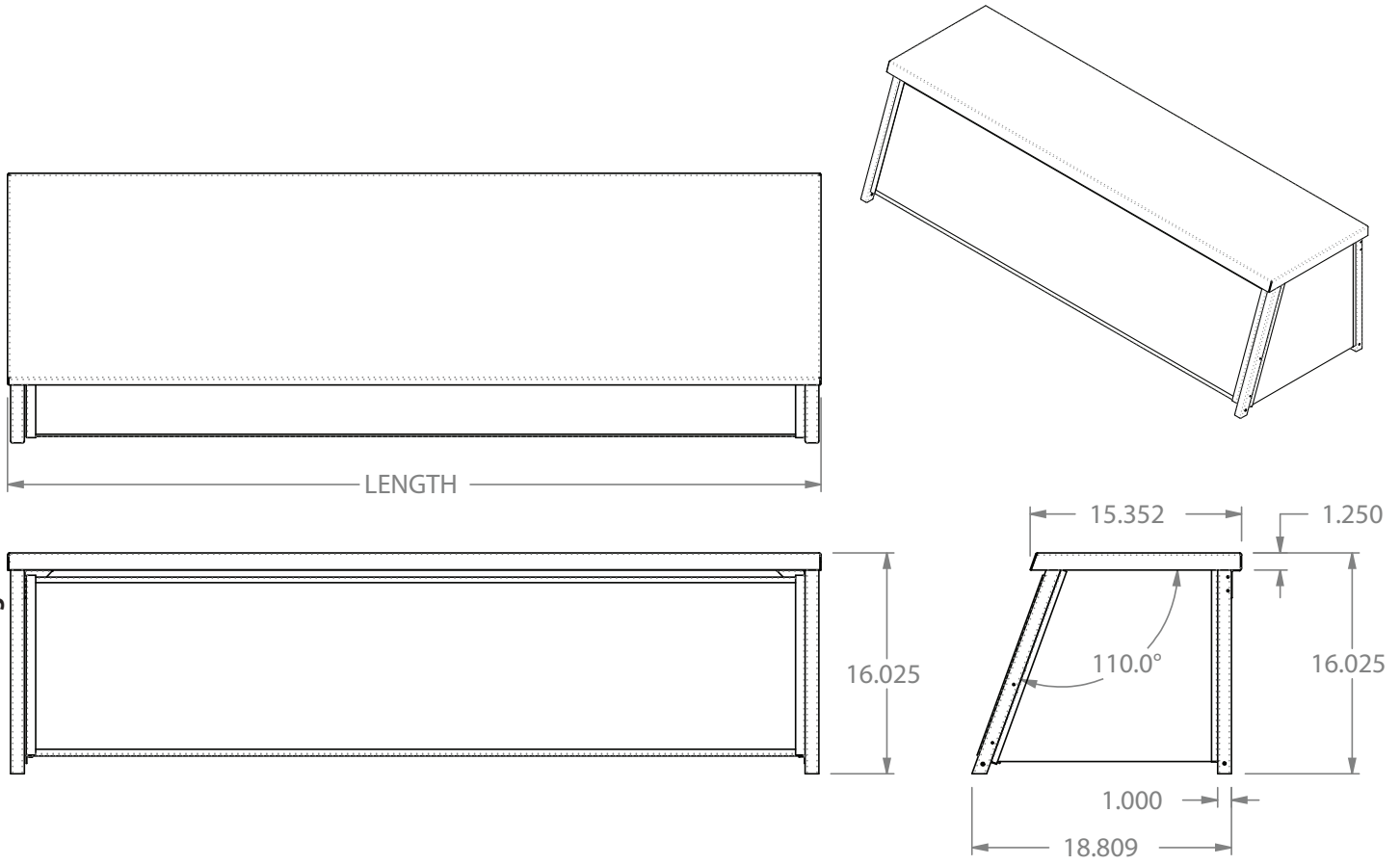
A.I.A. File No. 35-C-13

REV B 11/3/2020

FOODSHIELD - TRADITIONAL SERVING SHELVES

A.I.A. File No. 35-C-13

Catalog No. FS-SHELVES



Traditional Serving Shelves

DIMENSIONS:

Freight Class: 125

Model	Length		Height		Width		Weight		Cube ft. Crated	Fluorescent Light		Heat Lamps		Heat Lamps with Incandescent Lights	
	in.	cm	in.	cm	in.	cm	lbs.	kg		120V / 1 Phase		120V / 1 Phase		120V / 1 Phase	
										Watts	Amps	Watts	Amps	Watts	Amps
TS-454-32	31	79	16	40	15.35	39	32	14.6	6.7	15	0.13	250	2.08	370	3.08
TS-454-46	45	114	16	40	15.35	39	40	18.2	9.3	15	0.13	575	4.79	755	6.29
TS-454-60	59	150	16	40	15.35	39	50	22.7	11.9	30	0.25	800	6.67	1040	8.67
TS-454-74	73	185	16	40	15.35	39	58	26.4	14.5	30	0.25	900	7.50	1140	9.50
TS-454-88	87	221	16	40	15.35	39	67	30.5	17.1	30	0.25	1150	9.58	1510	12.58

FOODSHIELD - SERVING SHELVES



Duke Manufacturing Co.
2305 N. Broadway
St. Louis, MO 63102

Phone: 314-231-1130
Toll Free: 1-800-735-3853
Fax: 314-231-5074

www.dukemfg.com