



PLANETARY MIXER



Planetary Mixer, Floor Model, 100 Quart Capacity, 20 Speeds, 99 Minute Mixing Timer, (7) Programmable Speed & Time Settings, Emergency Stop, Electric Bowl Lifting, Includes Stainless Steel Bowl, Safety Guard, Dough Hook, Whip & Flat Beater, Cast Iron Frame with Enamel Coated Steel Finish, (4) Stationary Casters, 4 HP, cETLus, ETL-Sanitation



PROJECT _____

ITEM NO. _____

NOTES _____

MODEL NUMBER: **BTL100**



FEATURES

- Includes 100 Quart Stainless Steel Bowl, Dough Hook, Wire Whip, Flat Beater, and Ingredient Chute
- Unique Easy to Use Digital Control
 - 20 Speeds (no need to stop mixer to change speed)
 - 99 Minute Mixing Timer
 - 7 Programmable Speed & Time Settings
- Emergency Stop
- Wire Guard for Bowl Featuring Automatic Motor Cut-Off Switch
- Thermal Overload Protection for Motor
- Electric Bowl Lifting System (standard)
- Non-Slipping Belt

CONSTRUCTION

- Heavy Duty Frame with Lead-Free Enamel Coating
- S/S Legs to Prevent Rusting
- Carbon Steel Frame
- Four Inline Casters for Easy Moving
- Quick Locking Anti-Vibration Device to Secure Mixer

OPTIONS & ACCESSORIES

- Stainless Steel Construction [Suffix I]
- Dolly [BTL100D]
- Vegetable & Pepperoni Slicer Attachment [SM100CL]
- Meat Grinder Attachment [SM100HV]

CLEARANCES

- 6" (152mm) On All Sides
- Top & Bottom Must Remain Unobstructed
- Note Additional Clearance Requirements if Utilizing #12 Hub Attachment

WARRANTY

- One Year Labor & Two Year Parts



Model	Weight	Overall Dimensions			Motor	Hub	Dough Capacity (55% AR)
		W	D	H			
BTL100	1200 (545)	36 1/4" (921)	49 3/16" (1249)	82 1/16" (2084)	4	YES	140 lbs (63.5 kg)

Model	Electrical System			
	Volts	Amps	Phase	NEMA
BTL100	208 240	17	3	L15-30P

NEMA L15-30P



SPECIFICATIONS SUBJECT TO CHANGE WITHOUT NOTICE

KCL & REVIT DRAWINGS UPON REQUEST

REVISION B | 5/13/2021

Follow Us



Doyon

5600 13th Street, Menominee, MI 49858

906.863.4401 | 800.338.9886 | www.doyon.qc.ca





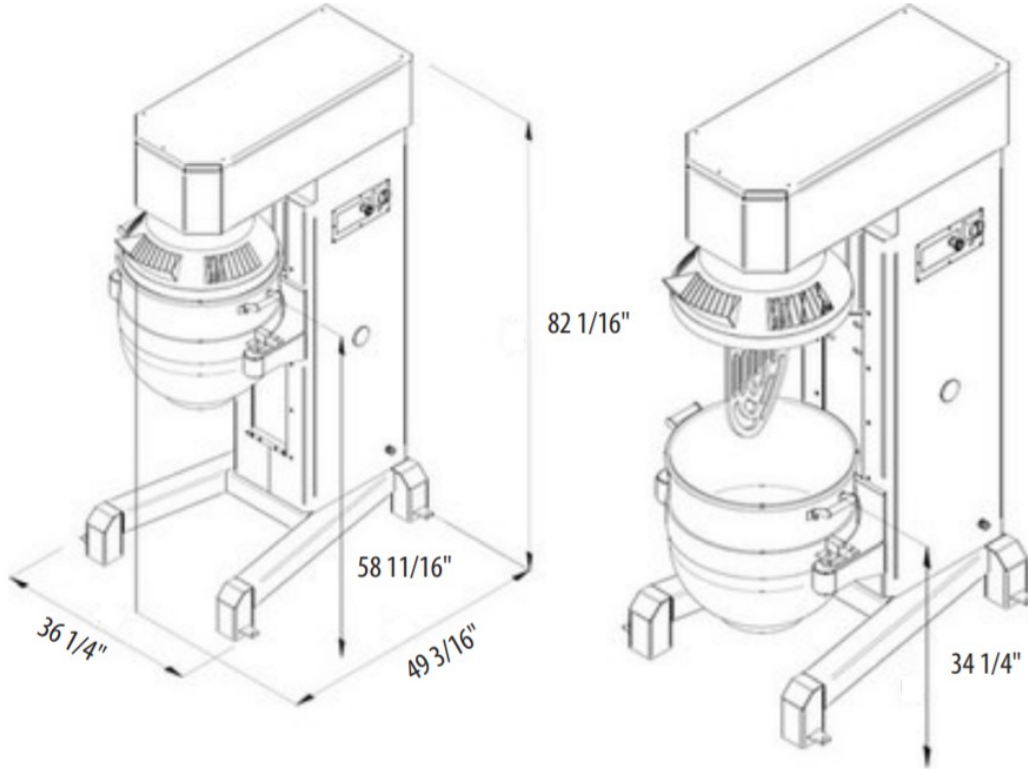
PROJECT _____

ITEM NO. _____

NOTES _____

MODEL NUMBER: **B T L 1 0 0**

DRAWINGS



ATTACHMENTS



BTL100B



BTL100C



BTL100F



BTL100P



BTL100S



BTL0100D

Due to periodic changes in designs, methods, procedures, policies and regulations, the specifications contained in this sheet are subject to change without notice. While Doyon exercises good faith efforts to provide information that is accurate, we are not responsible for errors or omissions in information provided or conclusions reached as a result of using these specifications. By using the information provided, the user assumes all risks in connection with such use.

SPECIFICATIONS SUBJECT TO CHANGE WITHOUT NOTICE

KCL & REVIT DRAWINGS UPON REQUEST

REVISION B | 5/13/2021

Follow Us



Doyon

5600 13th Street, Menominee, MI 49858

906.863.4401 | 800.338.9886 | www.doyon.qc.ca

