

STARTER STATION



Item Number
DXTMPSTARTER

Application

The Starter Station improves tray line efficiency and meal delivery. This versatile unit is designed to roll net to, or to cantilever over the patient tray assembly line to provide an efficient method of storing and dispensing condiments and flatware onto patient trays.

Durable, plastic bins hook onto the lower frame to hold and dispense condiments. A solid upper shelf holds other tray line materials such as tray overs, napkins or additional plastic bins. Shipped with bins and bin dividers available.

Construction

Frame: 16-gauge stainless steel, 1" sq

Top Shelf: 18-gauge stainless steel

Bottom Shelf: Supports 5 plastic bins (shipped standard with each unit)

Casters: 5" swivel casters; two have locking brakes

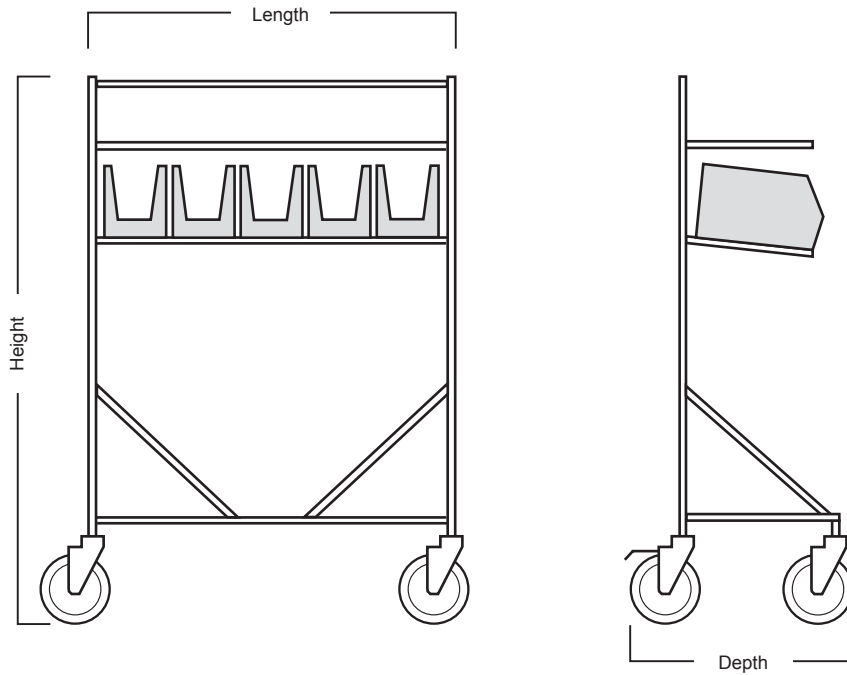
Features

- Cantilever design brings contents within easy reach for convenient tray preparation.
- Bins with dividers (optional) accommodate different types and quantities of tray items.
- 5" swivel casters with locking brakes allow smooth and stable positioning of the station.
- Stainless steel construction is attractive and rugged.

Warranty

One year parts and labor.

STARTER STATION



Items and Dimensions

ITEM NUMBER	MODEL NUMBER	LENGTH*	DEPTH*	HEIGHT	SHIP WEIGHT	SHIP CUBE
DXTMPSTARTER	TMPSTARTER	46" (117cm)	21" (53cm)	60.75" (154cm)	245 lb. (111kg)	36.5

Optional Accessories

ITEM NUMBER	MODEL NUMBER	DESCRIPTION
DXTMP30-240	TMP30-240	Plastic Bin (14.75" x 8.25" x 7")
DXTMP30-176	TMP30-176	Plastic Bin Divider



Please confirm that you have the most current specification sheet by visiting www.dinex.com.
Dinex® reserves the right to change specifications and product design without notice.
Such revisions do not entitle the buyer to corresponding changes, improvements, additions or replacements for previously purchased equipment.

4711 E. Hefner Road
Oklahoma City, OK 73131
800.654.8210 | 405.475.5600
www.dinex.com