

Project _____
 Item _____
 Quantity _____
 CSI Section 11400
 Approved _____
 Date _____

GAHRI Roll-Ins

Specification Line® Heated Roll-In

Models

GAHRI1-S

GAHRI2-S



GAHRI1-S

Standard Features

- easyTouch Control with remote monitoring capability
- Digital exterior temperature display with high/low temp visual alarms
- Raised ABS interior door liner
- Smart door hinge that auto closes up to 90° and stays open past 90°
- Energy efficient door gasket - removable without tools
- Door locks
- Includes 14 GA s/s ramp 1" tall with a 10 degree slope
- Stainless steel interior door liner
- 40 watt incandescent light
- 10' cord and plug attached
- Stainless steel exterior front, sides & interior
- 208V / 60C / 1 P Standard
- Three year parts and labor warranty

Options & Accessories

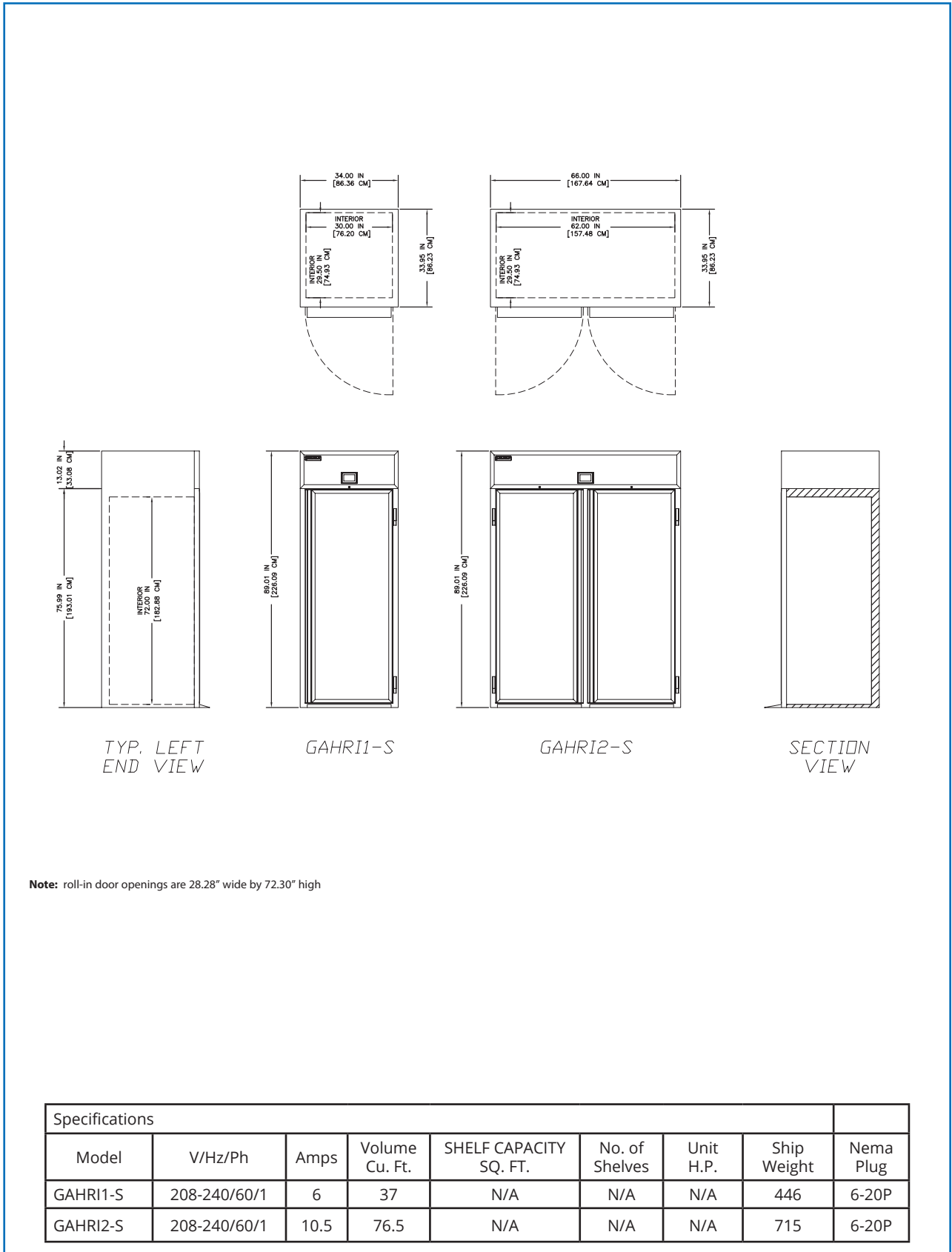
- S/S finish door liner
- Stainless steel back
- Laminate - front, ends, shroud
- Heat shield end - max temp 400 degrees
- Trim strips

Specifications

Heating system: Cabinets are designed to maintain temperatures between 120°F and 200°F. Heating elements are located behind the vertical ducts. The design of the heater, which is full length of the vertical duct, allows for optimal air flow and energy efficiency. Fan motor is mounted outside of the heated compartment. System is controlled using an electronic temperature control.

Units are completely insulated with high density foamed in place environmentally friendly, Kyoto Protocol Compliant, Non ODP (Ozone Depletion Potential), Non GWP (Global Warming Potential) polyurethane.





GAHRI Roll-Ins

Specifications								
Model	V/Hz/Ph	Amps	Volume Cu. Ft.	SHELF CAPACITY SQ. FT.	No. of Shelves	Unit H.P.	Ship Weight	Nema Plug
GAHRI1-S	208-240/60/1	6	37	N/A	N/A	N/A	446	6-20P
GAHRI2-S	208-240/60/1	10.5	76.5	N/A	N/A	N/A	715	6-20P

Welbilt reserves the right to make changes to the design or specifications without prior notice.