



COUNTERTOP SINGLE BURNER (HOB) COOKTOP with Standard Controls



PERFORMANCE

The CookTek® Countertop Single Burner (Hob) Cooktop with Standard Controls is a portable countertop design with stainless steel housing and a glass-ceramic cooktop intended for use in commercial kitchens and restaurants. An automatic shut-off feature, integral cooling fan, and self-diagnosing microprocessor allow for a safe kitchen environment. Each unit is equipped with 22 temperature settings and 20 power cook settings to ensure maximum and efficient heating of any induction-compatible pan.*

Project _____

Item No. _____

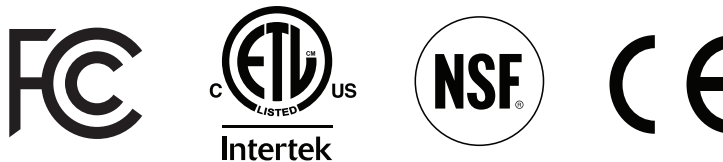
Quantity _____

FEATURES

- Models available in 1,500 (U.S. only); 1,800 (U.S. only); 2,500; 3,000; 3,500 watts
- Portable design with stainless steel housing
- High-quality internal electronics and heavy gauge Litz wire
- Easy-to-clean high temperature glass-ceramic top
- Automatic pan detection allows for instant energy transmission to pan
- Programmed with 22 temperature settings and 20 power cook settings
- LED display
- Temperature range from 85°F–500°F (29°C–260°C)
- Automatic shut-off feature prohibits overheating
- Integral grease filter and air baffle ensure air intake is cleaner and cooler
- Microprocessor monitors vital components to check for overheating, power supply issues, and more
- Integral fan keeps internal components cool
- Available in 100–120 VAC or 200–240 VAC, single phase
- Includes plug and cord (6 ft. nominal)
- Two-year advanced replacement warranty – U.S. and Canada

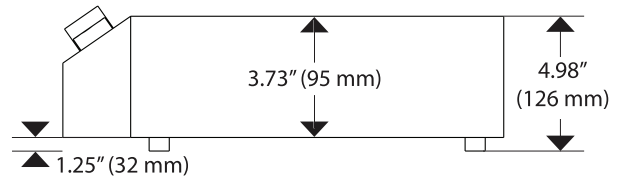
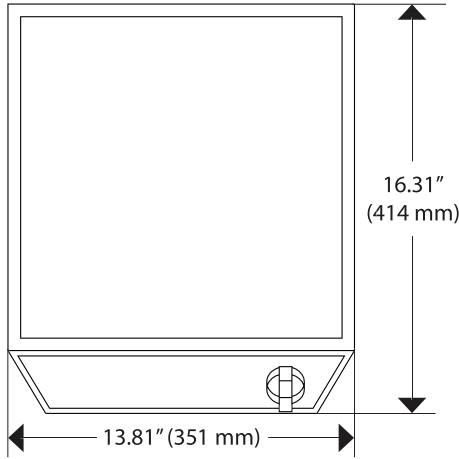
COUNTERTOP SINGLE BURNER (HOB) COOKTOP

CERTIFICATIONS



*Induction cooking requires the use of induction-compatible (i.e. magnetic) cookware.

It is the owner and installer’s responsibility to comply with all local codes. CookTek reserves the right to make substitutions of components or change specifications without prior notice.



| DIMENSIONS | | |
|-------------------------|-----------------|---------|
| Full Unit Height | 4.98" | 126 mm |
| Housing Height | 3.75" | 95 mm |
| Full Unit Width | 13.81" | 351 mm |
| Full Unit Depth | 16.31" | 414 mm |
| Feet Height | 1.25" | 32 mm |
| Weight | 19 lb. | 8.6 kg |
| Max Ambient Temperature | 122°F | 50°C |
| WALL CLEARANCE | | |
| Front | 2" | 51 mm |
| Sides | 2" | 51 mm |
| Rear | 2" | 51 mm |
| SHIPPING INFORMATION | | |
| Packaged Height | 9" | 229 mm |
| Packaged Width | 18.75" | 476 mm |
| Packaged Depth | 20.75" | 527 mm |
| Packaged Weight | 24 lb. | 10.9 kg |
| Item Class | 250 NMFC #26710 | |

| ELECTRICAL SPECIFICATIONS (SINGLE PHASE) | | | |
|--|--------|--|-----------------------------|
| UNITED STATES/CANADA | | | |
| MC1500 | 600501 | 100-120 V, 50/60 Hz, 14 A, 100-1,500 W | NEMA 5-15P |
| MC1800 | 600601 | 100-120 V, 50/60 Hz, 15 A, 100-1,800 W | NEMA 5-15P |
| MC2500 | 600701 | 200-240 V, 50/60 Hz, 12 A, 100-2,500 W | NEMA 6-20P |
| MC3000 | 600801 | 200-240 V, 50/60 Hz, 14 A, 100-3,000 W | NEMA 6-20P |
| MC3500 | 600901 | 200-240 V, 50/60 Hz, 15 A, 100-3,500 W | NEMA 6-20P |
| UK AND SAUDI ARABIA | | | |
| MC2500 | 600702 | 200-240 V, 50/60 Hz, 12 A, 100-2,500 W | BS1363, 13A, 230V |
| MC3000 | 600802 | 200-240 V, 50/60 Hz, 14 A, 100-3,000 W | BS1363, 13A, 230V |
| MC3500 | 600902 | 200-240 V, 50/60 Hz, 15 A, 100-3,500 W | IEC 309, 16A, 3-pin |
| INTERNATIONAL | | | |
| MC2500 | 600703 | 200-240 V, 50/60 Hz, 12 A, 100-2,500 W | CEE 7/7 Schuko, 16A, 250V |
| MC3000 | 600803 | 200-240 V, 50/60 Hz, 14 A, 100-3,000 W | CEE 7/7 Schuko, 16A, 250V |
| MC3500 | 600903 | 200-240 V, 50/60 Hz, 15 A, 100-3,500 W | CEE 7/7 Schuko, 16A, 250V |
| AUSTRALIA | | | |
| MC2500 | 600704 | 200-240 V, 50/60 Hz, 12 A, 100-2,500 W | AS/NZS 3112:2000, 10A, 250V |
| MC3000 | 600804 | 200-240 V, 50/60 Hz, 14 A, 100-3,000 W | AS/NZS 3112:2000, 15A, 250V |
| MC3500 | 600904 | 200-240 V, 50/60 Hz, 15 A, 100-3,500 W | AS/NZS 3112:2000, 15A, 250V |
| SOUTH AFRICA | | | |
| MC2500 | 600707 | 200-240 V, 50/60 Hz, 12 A, 100-2,500 W | BS 546, 16A, 250V |
| MC3000 | 600807 | 200-240 V, 50/60 Hz, 14 A, 100-3,000 W | BS 546, 16A, 250V |
| MC3500 | 600907 | 200-240 V, 50/60 Hz, 15 A, 100-3,500 W | BS 546, 16A, 250V |
| ISRAEL | | | |
| MC2500 | 600708 | 200-240 V, 50/60 Hz, 12 A, 100-2,500 W | SI 32, 16A, 250V |
| MC3000 | 600808 | 200-240 V, 50/60 Hz, 14 A, 100-3,000 W | SI 32, 16A, 250V |
| MC3500 | 600908 | 200-240 V, 50/60 Hz, 15 A, 100-3,500 W | SI 32, 16A, 250V |

| | | | |
|--|---------------------------|--|-----------------------------|
| | NEMA 5-15P | | AS/NZS 3112:2000, 10A, 250V |
| | NEMA 6-20P | | AS/NZS 3112:2000, 15A, 250V |
| | BS1363, 13A, 230V | | BS 546, 16A, 250V |
| | IEC 309, 16A, 3-pin | | SI 32, 16A, 250V |
| | CEE 7/7 Schuko, 16A, 250V | | |

Dedicated circuit required for each installation.

Global Operations
 2801 Trade Center Drive / Carrollton, Texas 75007 USA
 US: 800.90TURBO (800.908.8726) / International: +1 214.379.6000
 Fax: +1 214.379.6073 / www.cooktek.com