

# Skillets

# Cleveland

## Electric Tabletop Kettles

---

### Parts Manual

#### MODELS:

SET-15



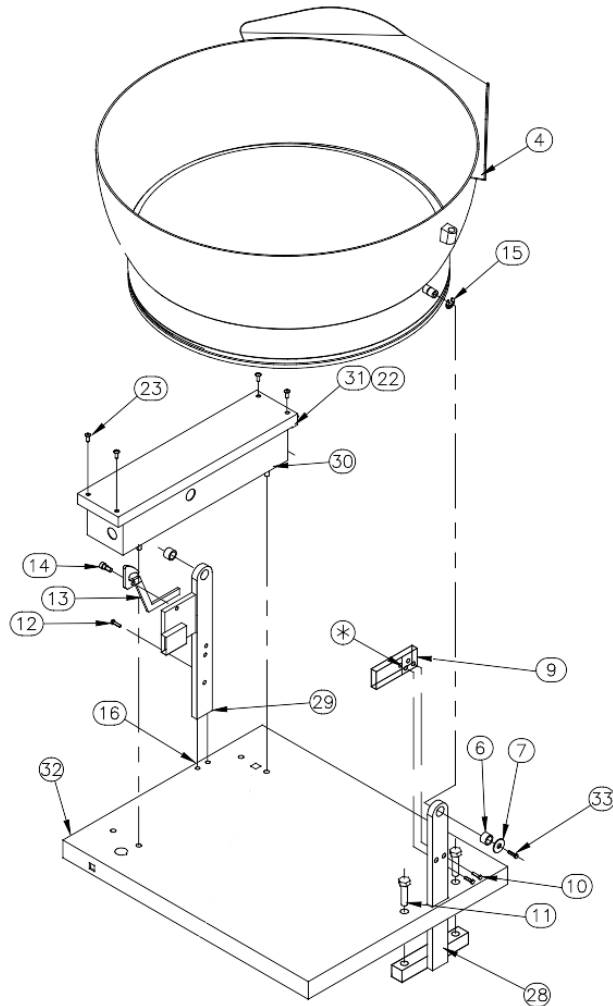
KE004343-21 Rev A  
March 2025

**Assembly Number: SET-15**  
**Description: General Assembly**



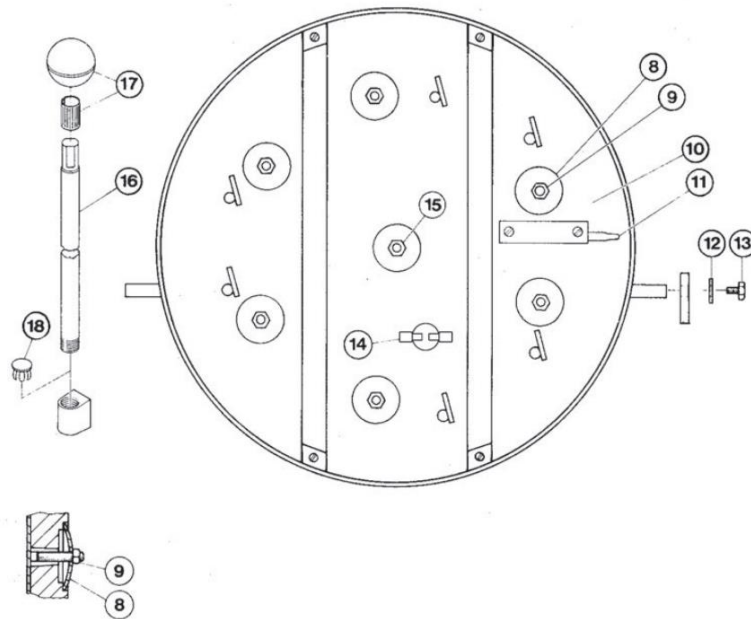
Item	QTY	Part Number	Description
1	1	KE001208	PAN/BASE ASSEMBLY
2	1	SCL 15	LIFT OFF COVER

**Assembly Number: KE001208**  
**Description: Pan Base/ Assembly**



Item	QTY	SPK Part Number	Description
4	1	SK2273599	PAN WELDMENT
6	2	SK50403	BEARING: BRONZE
7	2	SK50434	WASHER, PAN MTG, PIN
9	1	KE603854	STOP BAR-LH
10	2	FA11224	HEX. BOLT, 5/16-18 X 1, S.S. 18.8
11	2	FA11509-2	HEX. BOLT, 1/2-13 X 1 1/4 S.S. 18.8
12	1	FA11258	HEX CAP SCREW, 1/4-20 X 3/4
13	1	KE600550	CAM
14	1	FA15019-5	SHOULDER BOLT, 1/4-20
15	2	SK2167201	RETAINING RING
16	2	FA11323	HEX SCREW, 5/16-18 X 3/4
22	1	KE600284-3	GASKET, SILICONE
23	4	FA95031	8 X 3/4 18-8 PH. PAN HEAD
28	1	SK00348-2	SUPPORT BAR ASS'Y; L.H.
29	1	SK2274299-2	SUPPORT BAR ASS'Y; R.H.
30	1	KE00187-2	ELECTRICAL BOX ASSEMBLY
31	1	KE601034-1	COVER
32	1	KE000851-1	BASE WELDMENT
33	2	FA11346	HEX BOLT (18-8 S/S) 5/16-18 X 1 LG

**Description: SET-15 Bottom**

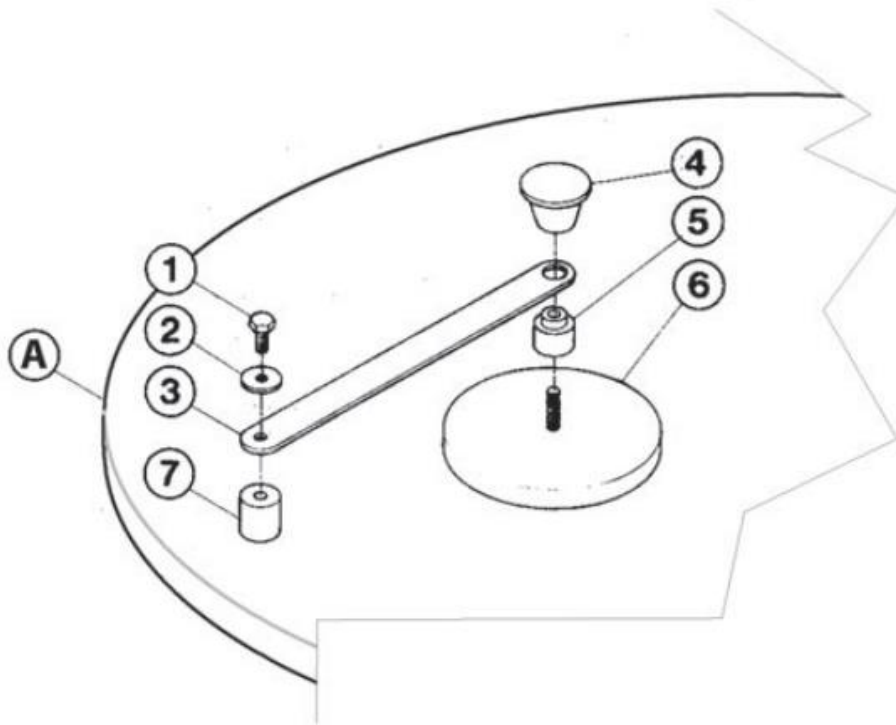


Item	QTY	Part Number	Description
8	7	SK2275300	WASHER, SPHERICAL
9	7	FA21024	NUT, 5/16-18
10	1	-	SEE ELEMENT BLOCK ASSEMBLY TABLE
11	1	KE55069-2	THERMOSTAT
	1	SK2232001	THERMOSTAT CHANNEL
12	2	SK2231500	WASHER
13	2	SK2274000	BOLT, 5/16-18 X 1/2"
14	1	KE55340	THERMOSTAT, HIGH LIMIT (575F, 302C)
15	1	SK2277100	COVER SPACER
16	1	KE50886-4	HANDLE
17	1	KE50151-2	KNOB, HANDLE
18	1	KE54907-15	PLUB BUTTON

**Element Block Assembly**

Voltage	Wattage	Element Block Part Number
280	High Wattage	SK2276098
220		
240		
208	Standard Wattage	SK2276098
220	Standard Wattage	SK2276097
240		

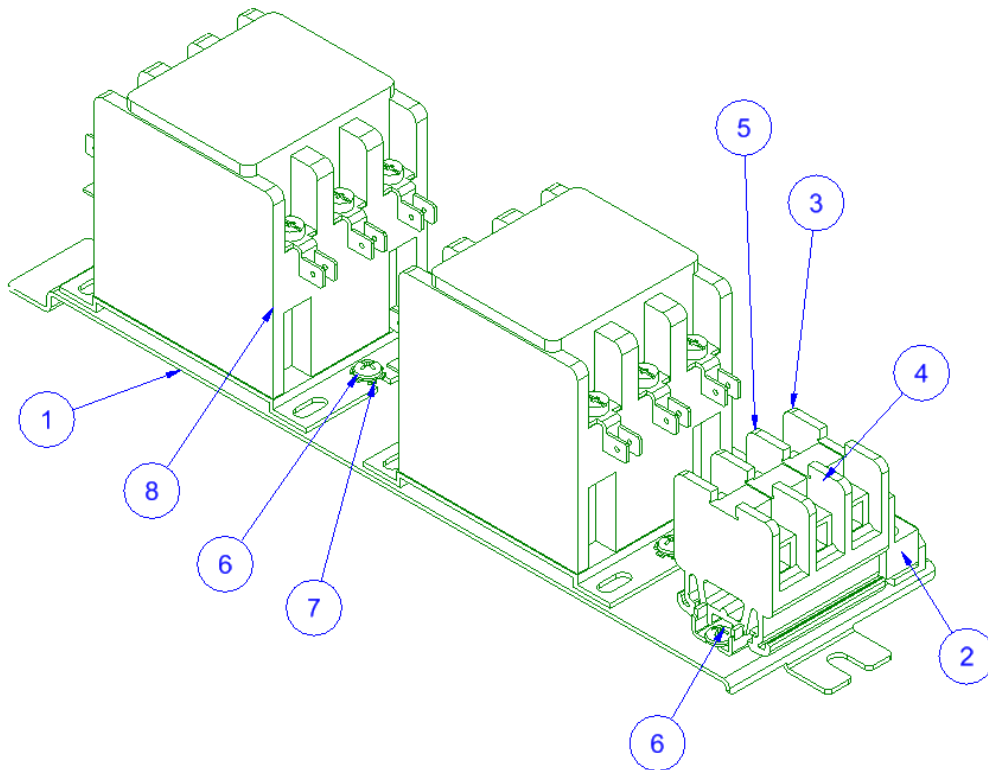
**Assembly Number: SCL 15**  
**Description: Lift Off Cover**



Item	QTY	Part Number	Description
1	1	SK2211500	SCREW, 1/4"-20 X 3/8"
2	1	FA30505-1	WASHER
3	1	SK2211100	SUPPORT ARM
4	1	SK2209300	KNOB
5	1	SK2211300	SPACER
6	1	SK00054	COVER
7	1	SK2211200	SPACER

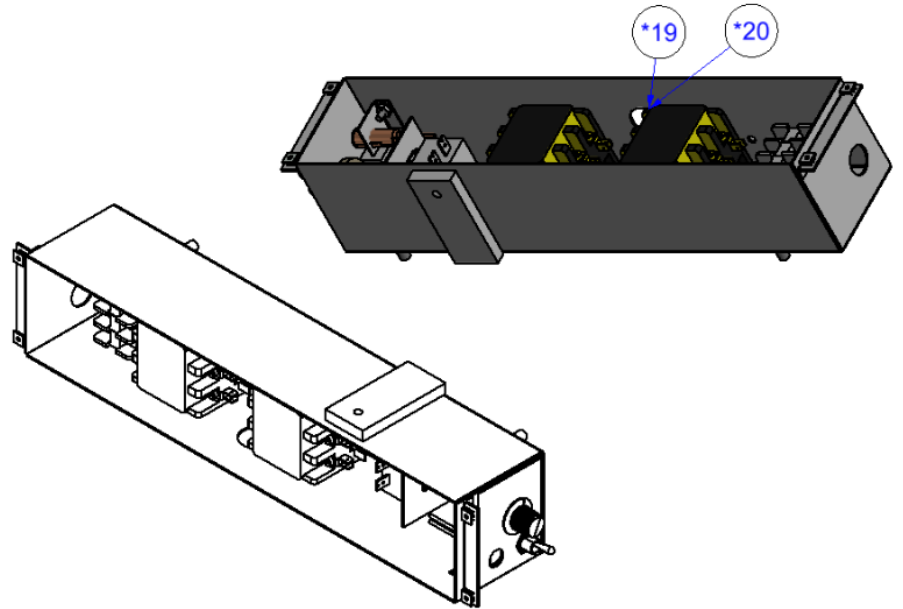
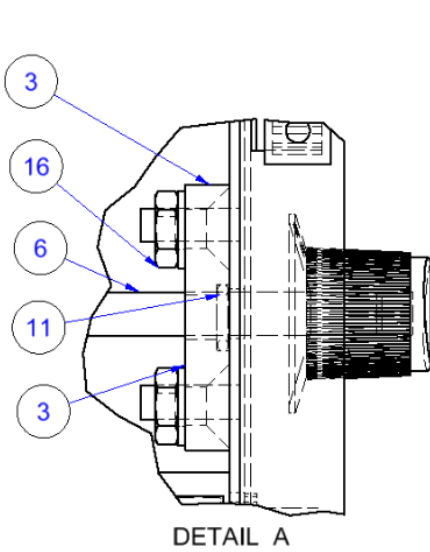
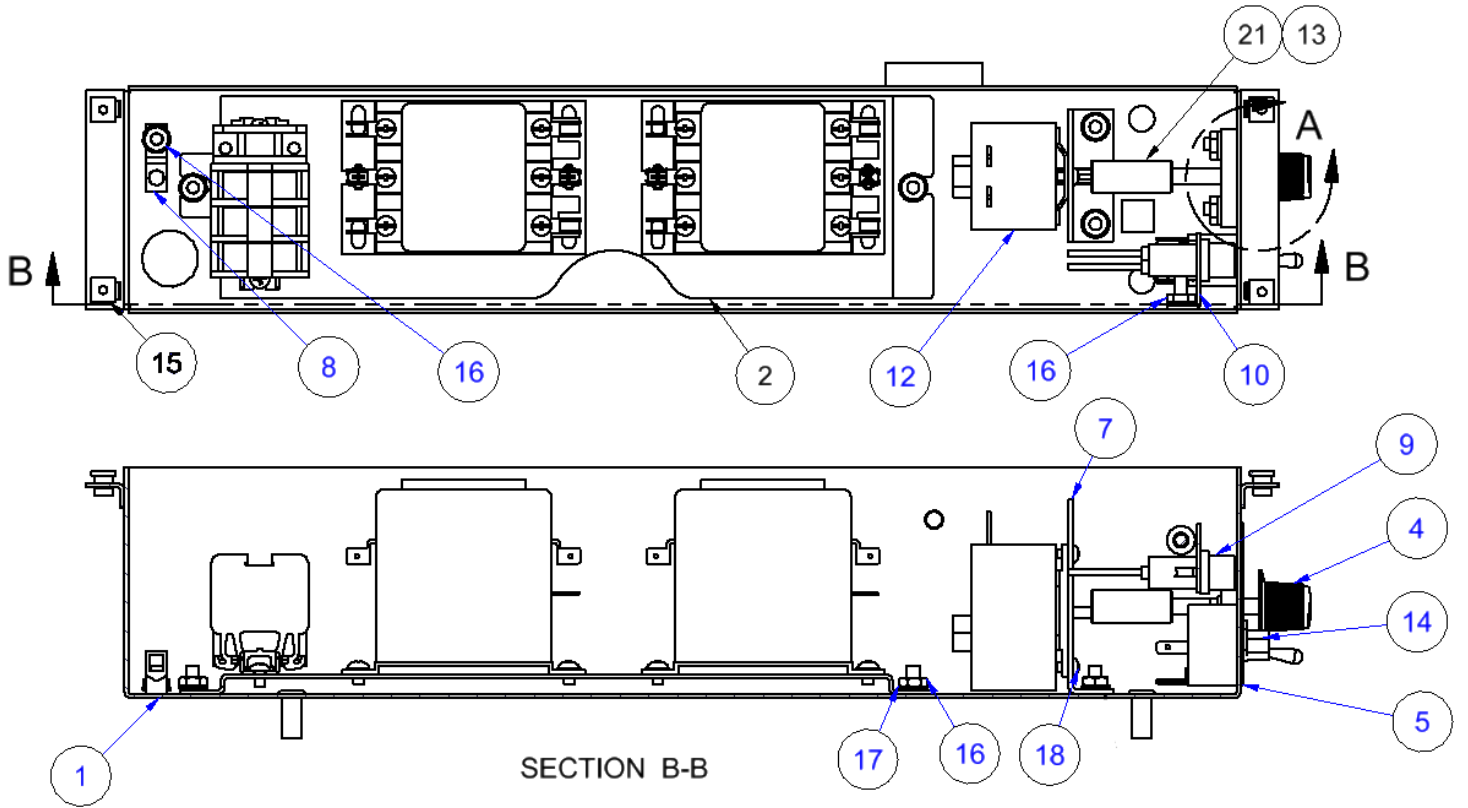
**Assembly Number: KE0010741-1 (208-240/380/415 V)**

**Description: Component Plate Assembly**



Item	QTY	Part Number	Description
1	1	KE601020	COMPONENT PLATE
2	1	KE54761	TERMINAL BLOCK MOUNTING RAIL
3	1	SK50054-1	TERMINAL BLOCK BARRIER
4	1	SK50054-2	TERMINAL BLOCK END BARRIER
5	3	SK50055-1	TERMINAL BLOCK
6	6	FA11089	SCREW 8 - 32 - 1/4 BINDING HD
7	4	FA32005	External Tooth Lock Washer #8
8	2	KE603902	CONTACTOR; 208/220/240/380/415 OPTION

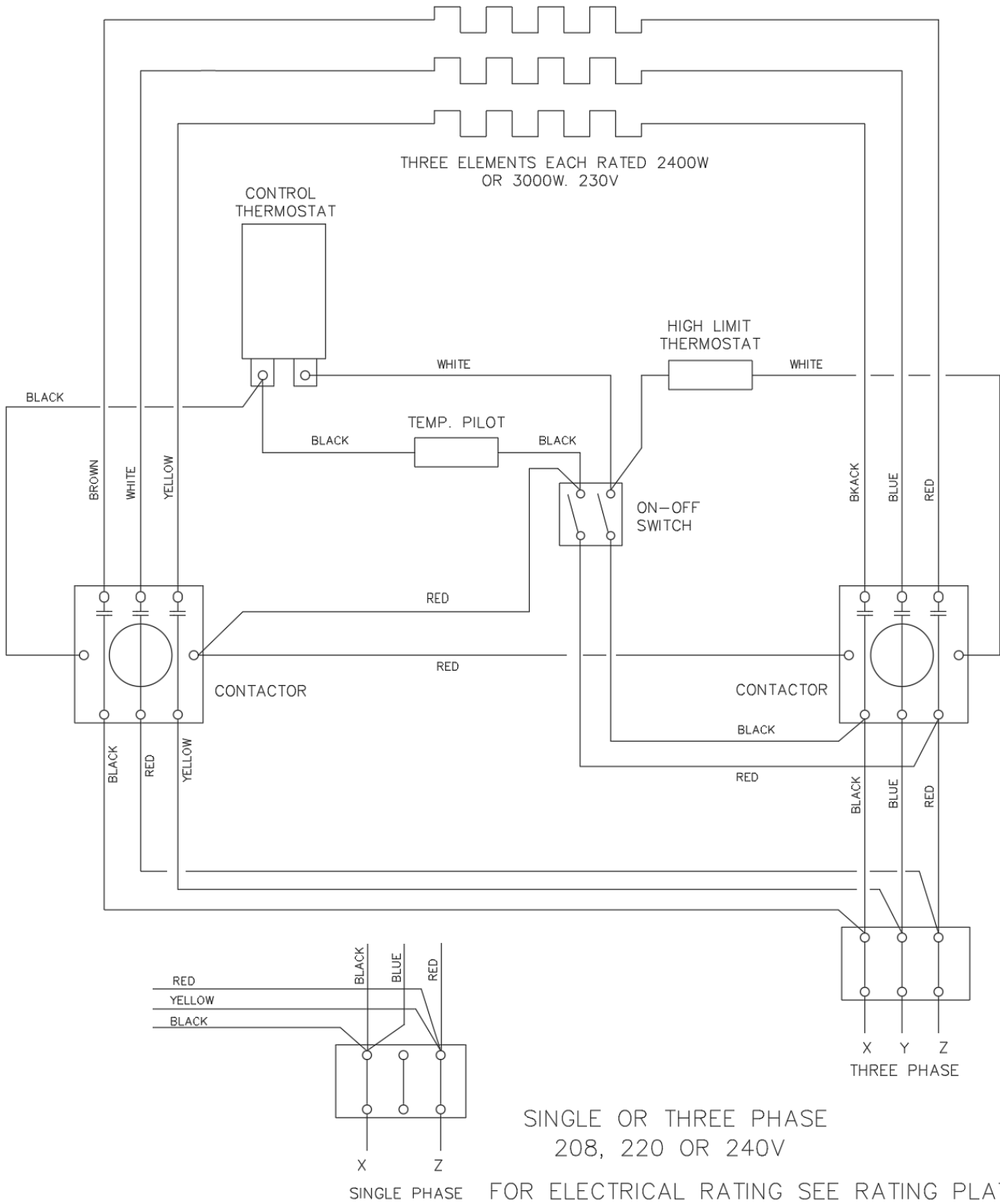
Assembly Number: KE001187-2  
Description: Electrical Box Assembly



Item	QTY	Part Number	Description
1	1	KE001075-1	BOX WELDMENT
2	1	KE001074-2	COMPONENT PLATE ASSY
3	1	KE601103	HUB
4	1	KE50569-1	KNOB
5	1	KE601109-1 KE601109-2	LABEL
6	1	KE601081	SHAFT
7	1	KE601079	SUPPORT;SET-15 THERMOSTAT
8	1	KE50473	GROUND LUG
9	1	KE55486-5	LIGHT, 250V.
10	1	KE600914	BRACKET
11	3	FA05002-50	O-RING
12	1	KE55069-2	THERMOSTAT
13	3	FA11145	10-32 X 3/8 PAN HEAD, 18-8 S.S.
14	1	SK50056	SWITCH
15	4	FA95074	NYLON ANCHOR
16	8	FA21006	10 - 24, 18-8 S.S. Hex Nut
17	8	FA30505-2	Washer No. 10, S.S.
18	2	FA11052	6-32 X 1/4 S.S. Screw SLOT
19	1	SK2274602	3/4 CONNECTOR; LIQUID TITE STRAIGHT
20	1	FA05002-1	O-RING 1" X 1 1/4" O.D. X 1/8"W
21	1	KE600905	EXTENSION SHAFT

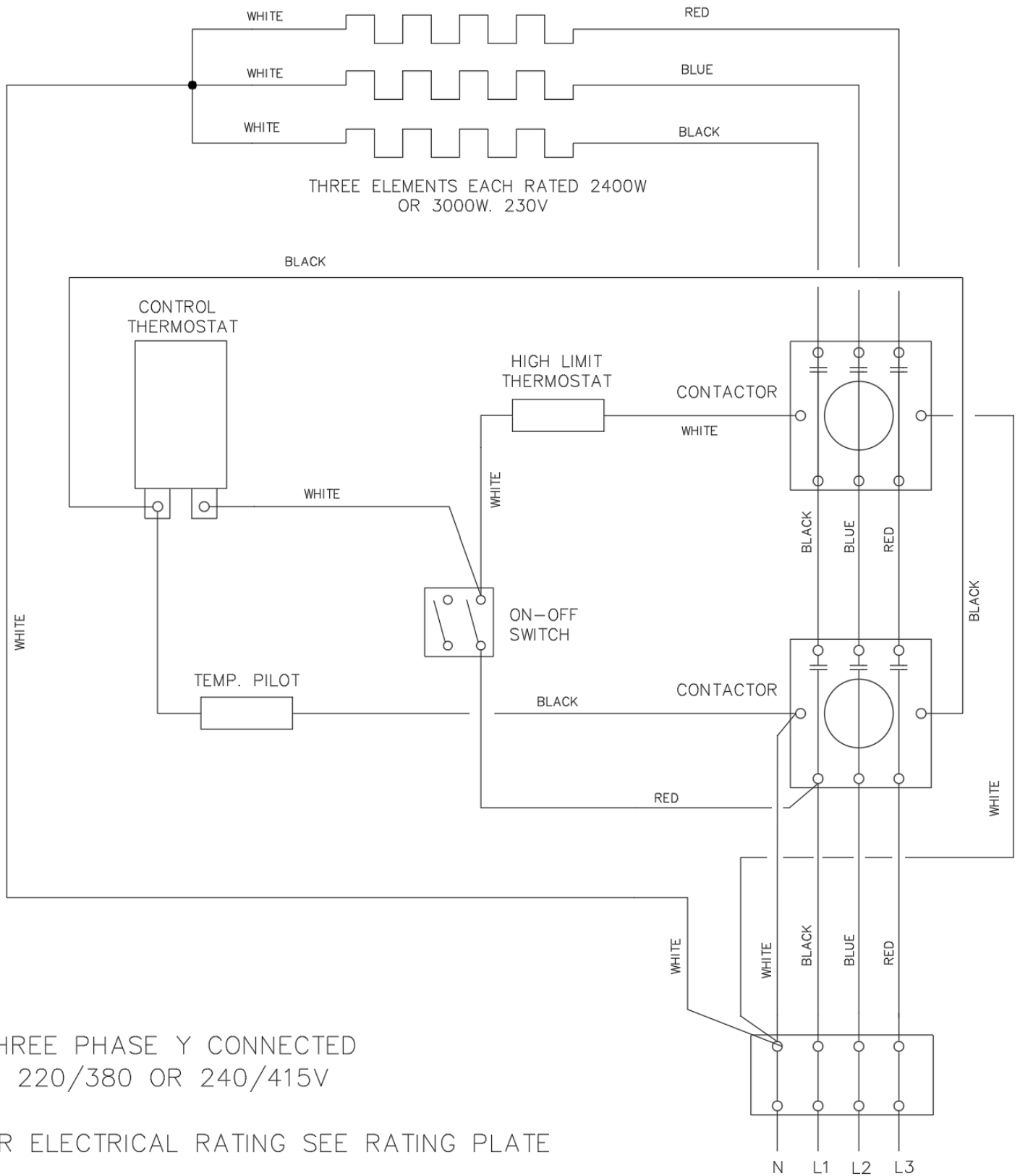
Assembly Number: SK2242101

Description: Wiring Diagram; 208V; 220V; 240V



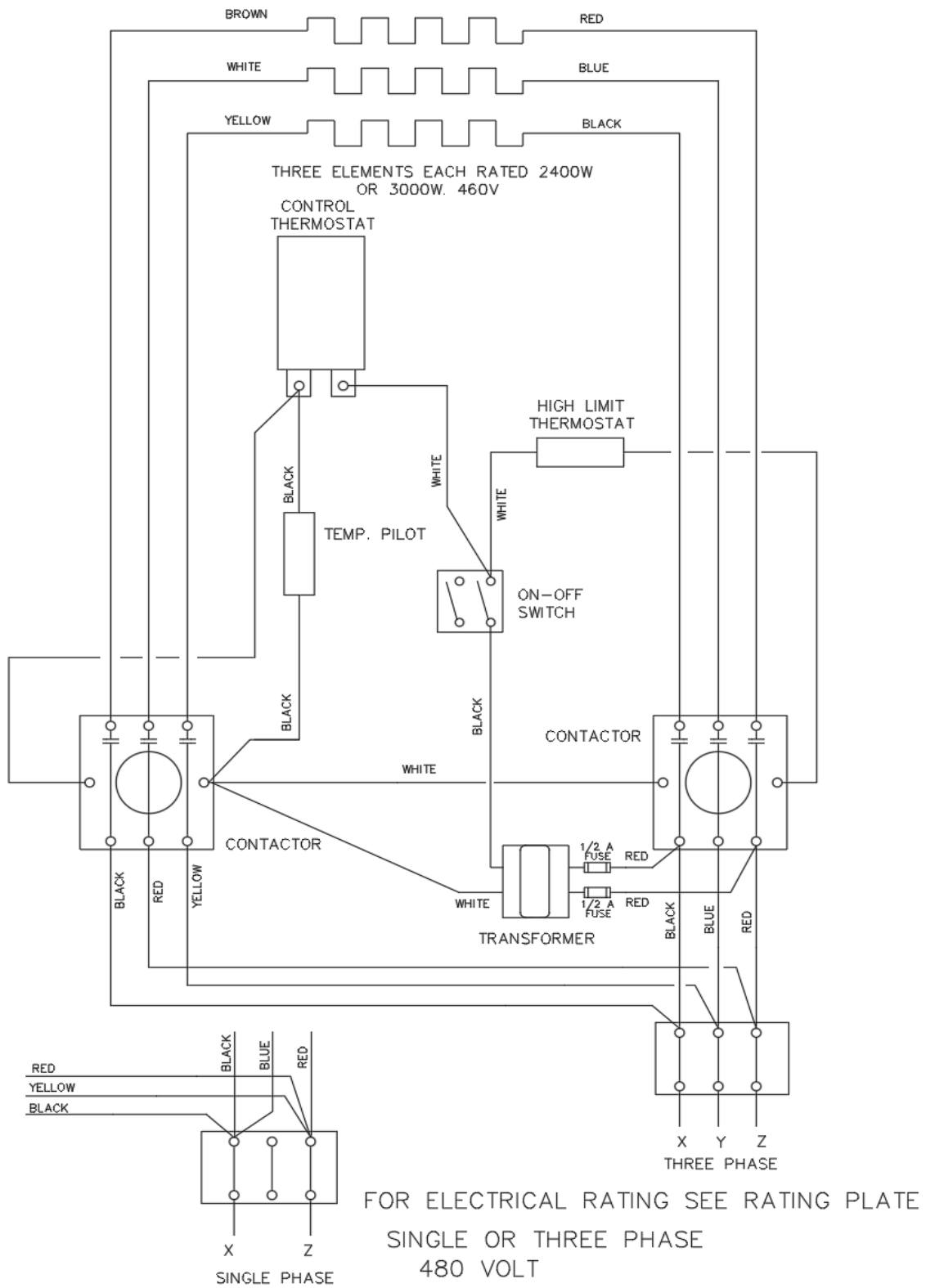
Assembly Number: SK2242201

Description: Wiring Diagram; 220/380V; 240/415V



Part Number: SK90104

Description: Wiring Diagram; 480V



# Cleveland

## Service/Parts:

1-844-724-2273

US: Press #4 after prompt to be directed to Technical Services. Press #2 after prompt to be directed to Cleveland.

Canada: Press #1 after prompt to be directed to service in Canada.

---

Every new piece of Welbilt Foodservice equipment comes with KitchenCare® and you choose the level of service that meets your operational needs from one restaurant to multiple locations

**StarCare** – Warranty & lifetime service, certified OEM parts, global parts inventory, performance audited

**ExtraCare** – CareCode, 24/7 Support, online/mobile product information

**LifeCare** – Install & equipment orientation, planned maintenance, KitchenConnect™, MenuConnect®

**Talk with KitchenCare®** • 1-844-724-CARE • [www.mtwkitchencare.com](http://www.mtwkitchencare.com)



To learn how Welbilt Foodservice and its leading brands can equip you, visit our global web site at [www.welbilt.com](http://www.welbilt.com), then discover the regional or local resources available to you.

©2016 Welbilt Foodservice except where explicitly stated otherwise. All rights reserved. Continuing product improvement may necessitate change of specifications without notice