

Project _____
 Item _____
 Quantity _____
 FCSI Section 11400 _____
 Approved _____
 Date _____

TABLE TOP, GAS-FIRED KETTLES

TILTING (MANUAL OR WITH GEARBOX), 2/3 STEAM JACKETED, "SPLASH PROOF SERIES", 6 OR 12 GALLONS (23 OR 45 LITERS)

Models

- KGT-12-TGB



KGT-12-TGB (SHOWN WITH STANDARD CONTROLS)



KGT-12-TGB (SHOWN WITH OPTIONAL EASYDIAL CONTROLS)

Standard Features

- Self contained gas tilting kettle is easily installed, only needs a gas connection and a 115 volt outlet.
- Accurate, "Splash Proof", constant solid state temperature controls - less than $\pm 1^{\circ}\text{C}$ variance (ideal for simmering). Operating temperature range from 145° - 260°F (63°C - 127°C)

Standard Control Panel includes:

- LED indicator for heat cycle • LED indicator for low water
- Power ON/OFF Dial with 1-10 Temperature Dial Setting

easyDial Control Panel (optional) includes:

- Adjustable Temperature Control (C&F) • 99 Minute Adjustable Timer Setting • 3 Cooking Models, Cook/Simmer, Cook/On, Cook Off • 6-Built In Self Diagnostics & Display Readout • Core Temperature Probe (Optional)
- Kettle and all exterior surfaces are a 316 Stainless Steel with a #4 finish.
- Energy efficient (65%), high performance gas-fired heating system for fast heat up and recovery time:
 - Six gallon model with a 34,000 BTU firing rate, and 22,100 BTU directly applied to the product.
 - Twelve gallon model with a 53,000 BTU firing rate, and 34,450 BTU directly applied to the product.
- Supplied with Gas Pressure Regulator.
- Standard for natural gas operation.
- Self locking marine type tilting mechanism prevents accidental tilting. Balanced design makes it easy to tilt. The tilt handle easily mounts on left or right side. (KGT-6-T & KGT-12-T only)
- Double safety gas shut off turns off the gas when the unit is tilted.
- Large pouring lip for easier, faster pouring. Heavy duty Rolled Rim design provides strong reinforcement, prevents damages from abuse.
- "Splash Proof" pressure/vacuum gauge.
- Steam jacket permanently filled with treated distilled water, venting and / or refilling is not required.
- 50 PSI Steam Jacket Rating. Safety valve mounted toward rear of kettle to avoid tampering.
- Automatic Electronic Spark Ignition System.
- Supplied with cord and plug for 115 volt controls.
- Typical approvals include AGA, CSA, NSF and ASME.

Short Form Specifications

Shall be CLEVELAND, gas kettle, Table Type, self-contained, tilting, Model KGT- _____ -TGB; _____ gallons, natural or LP gas, 2/3 steam jacketed, type 316 Stainless Steel and supports. Jacket rated at 50 psi with Safety Valve. Complete with solid state water level, temperature, and safety low water power cut off, including LED indicators. Optional lift off cover.

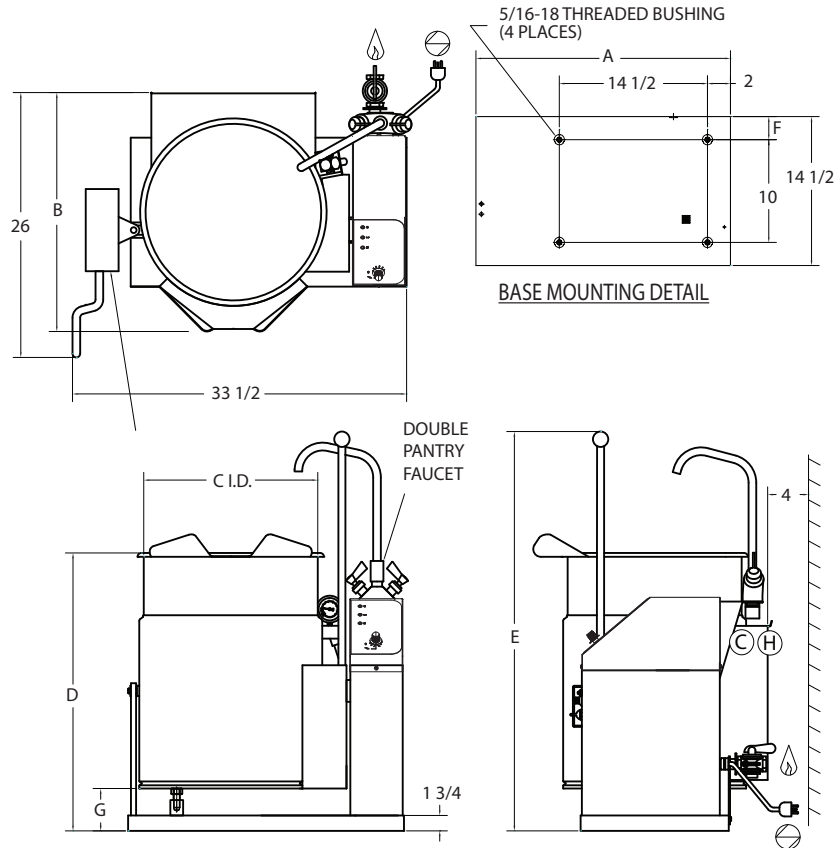
Options & Accessories

- easyDial option • Core Temperature Probe
- Stainless Steel equipment stand with sliding drain drawer and splash shield (ST-28)
- Hot and cold water faucet (DPK), or Cold Water (SPK). Requires bracket (FBKT)
- Cooking Baskets (BS) • Food Strainers (FS) • Measuring Strips (MS)
- Spray Hose (PRS-K) • Lift Off Cover (CL)
- Propane Gas Operation (PG) • Kettle Markings (KM)
- Protective Control Panel (PCE)

• CAPACITIES: (in 4 oz. servings, other sizes may be calculated)
 6 gallons / 23 liters.....192 servings
 12 gallons / 45 liters.....352 servings

| KETTLE SIZE | | A | B | C | D | E | F | G |
|-------------|--------|----|--------|--------|--------|--------|-------|-------|
| GALS. | LITERS | | | | | | | |
| 12-TGB | 46 | 27 | 23 1/4 | 16-3/4 | 28 1/2 | 39 1/2 | 3 1/4 | 3 7/8 |

ALL DIMENSIONS SHOWN IN INCHES.



SPECIFICATIONS:

| MODEL | ELECTRICAL SUPPLY: | | | | GAS SUPPLY: (PIPING 3/4 NPT) | | | | APPROVALS | | | CLEARANCE: | SHIPPING WEIGHT | |
|------------|--------------------|-------|------|------|------------------------------|------------|--------------|-----------------|-----------------|-----|-----|------------|---|----------|
| | VOLTS | PHASE | AMPS | FREQ | TYPE | BTU RATING | WATER COLUMN | BTU PER CU. FT. | SUPPLY PRESSURE | AGA | CGA | | | NSF |
| KGT-12-TGB | 120 | 1 | 5 | 60 | NAT | 53,000 | 4.2 | 1000 | 4" TO 14" W.C. | ✓ | ✓ | ✓ | RIGHT: 0 LEFT: 3" REAR: 4" ALLOW 12" SPACE MINIMUM ON RIGHT SIDE FOR SERVICE | 215 LBS. |
| | 120 | 1 | 5 | 60 | LP | 53,000 | 10 | 2500 | 4" TO 14" W.C. | ✓ | ✓ | ✓ | | |
| | 220 | 1 | 3 | 60 | NAT | 53,000 | 4.2 | 1000 | 4" TO 14" W.C. | | | ✓ | | |
| | 220 | 1 | 3 | 60 | LP | 53,000 | 10 | 2500 | 4" TO 14" W.C. | | | ✓ | | |

NOTES:

1. MANUFACTURER MUST BE NOTIFIED IF UNIT WILL BE OPERATING ABOVE 2,000 FOOT ALTITUDE.
2. CONSULT FACTORY FOR MANUFACTURED GAS.
3. ALL VERTICAL DIMENSIONS SHOWN ARE MINIMUM.
4. UNIT COMES WITH 6' POWER CORD.
5. REFER TO RATING AND APPROVAL DOCUMENT KE95504-11.

Ⓒ COLD WATER Ⓓ HOT WATER
 PIPING: 1/2" NPT (DOUBLE)
 PIPING: 3/8" COPPER TUBE (SINGLE)

NOTES:

Cleveland Range reserves right of design improvement or modification, as warranted.
 Many regional, state and local codes exist and it is the responsibility of the owner and installer to comply with the codes.
 Cleveland Range equipment is built to comply with applicable standards for manufacturers. Included among those approval agencies are U.L./NSF#4 and CSA (AGA, CGA).

(NOT TO SCALE)

Gas Kettles