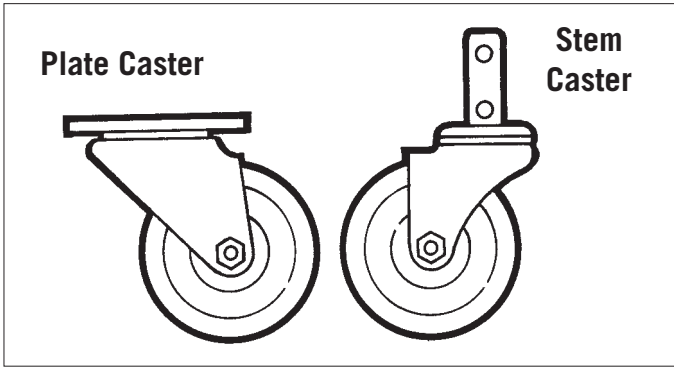


Accessories



CASTER REPLACEMENTS

MODEL	MATERIAL	WHEEL	WT
PLATE SWIVEL			
CPS14U	Polyurethane	4" X 1¼"	1.0
CPS54H	High Temp	4" X 1½"	2.6
CPS45U	Polyurethane	5" X 1¼"	2.0
CPS25U	Polyurethane	5" X 2"	5.0
CPS26MR	Mold/Rubber	6" X 2"	9.0
CPS28U	Polyurethane	8" X 2"	9.0
PLATE RIGID			
CPR45U	Polyurethane	5¼" X 1¼"	2.0
CPR26MR	Mold/Rubber	6" X 2"	9.0
CPR28U	Polyurethane	8" X 2"	9.0
STEM SQUARE			
CSS450	Polypropylene	5" X 1¼"	1.6
CSS45PU	Polyurethane	5" X 1¼"	1.6
CSS45R	Rubber-Swivel	5" X 1¼"	2.8
CSR45R	Rubber – Rigid	5" X 1¼"	2.8
CSS55PU	Polyurethane	5" X 1¼"	2.3
025KD	Polypropylene	5" X 1¼"	1.6
STEM ROUND			
CIS45PU	Polypropylene	5" X 1¼"	2.5
STEM THREADED			
CTS45U	Polyurethane	5" X 1¼"	1.8

WHEEL REPLACEMENTS

MODEL	MATERIAL	WHEEL	WT
W28MR	Mold on Rubber	8" X 2"	6.0
W28U	Polyurethane	8" X 2"	4.0
W48SP	Semi-Pneumatic	10" X 2¾"	9.0

COVERS — BUN PAN RACKS

Covers are manufactured to fit both side loading and front loading bun pan racks. Three zippers.

MODEL	MATERIAL	WT
ELC-69	For Bun Pan Racks 68" – 72" high	4
ELC-65	For Bun Pan Racks 63" – 65" high	3
ELC-36	For Bun Pan Racks 36" high	3

† Flyer Item

OPTIONAL ACCESSORIES

MODEL	DESCRIPTION
/011	Caster Brakes
/052	5" X 2" Caster Upgrade
/5B	HD Caster Brakes
/CC	Card Clip Aluminum
/022	Corner Bumpers (2)
/024	Corner Bumpers (4)
/PB	Perimeter Bumper
/VB	Vertical Bumpers
/009	Pan Stop – Aluminum
/010	Pan Stop – Stainless Steel
/015	Pan Stop Web-Strap
/BA	Solid Bottom – Aluminum
/A	Solid Top – Aluminum
/S	Work Top – Stainless Steel
/P	Work Top – Poly
/FF	Flanged Feet Set (in lieu of casters)