



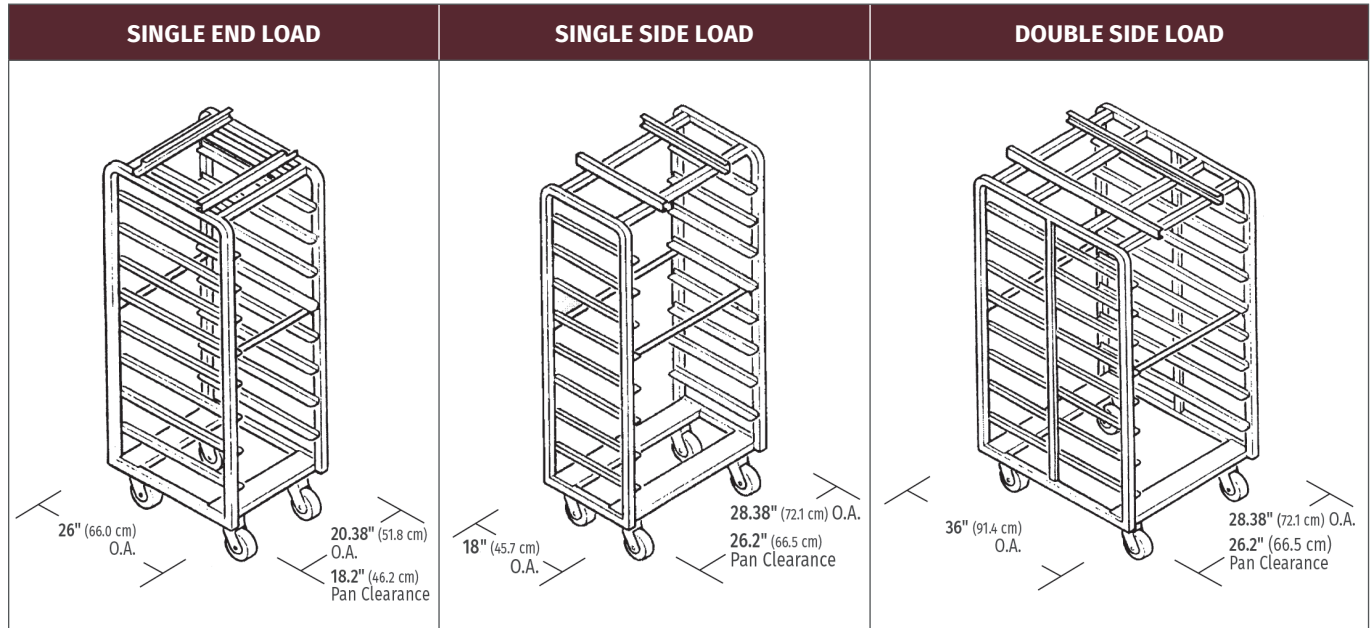
Project _____
 AIA # _____ SIS # _____
 Item # _____ Quantity _____ C.S.I. Section 114000



HEAVY DUTY RACKS

For Double Rack Ovens

HEAVY DUTY RACKS FOR DOUBLE RACK OVENS



Overall Height: 69.8" (177.3cm)

ORDERING INFORMATION:

SLIDES		SINGLE END LOAD FOR DOUBLE RACK OVEN		SINGLE SIDE LOAD FOR DOUBLE RACK OVEN		DOUBLE SIDE LOAD FOR DOUBLE RACK OVEN	
QTY	SPACE	MODEL NO.	WEIGHT	MODEL NO.	WEIGHT	MODEL NO.	WEIGHT
10	6"	BDSRSB-10	96 lbs (44 kg)	BDSSRSB-10	90 lbs (41 kg)	BDRSB-10	120 lbs (54 kg)
12	5"	BDSRSB-12	101 lbs (46 kg)	BDSSRSB-12	94 lbs (43 kg)	BDRSB-12	126 lbs (57 kg)
15	4"	BDSRSB-15	108 lbs (49 kg)	BDSSRSB-15	98 lbs (44 kg)	BDRSB-15	136 lbs (62 kg)
20	3"	BDSRSB-20	119 lbs (54 kg)	BDSSRSB-20	106 lbs (48 kg)	BDRSB-20	152 lbs (69 kg)

*Slide surface to slide surface.

Shipping Options:

Add the following codes to the model number to specify shipping choice:

- **A** = Assembled & Welded
- **W** = Assembled & Fully Welded for Prisons

EX: BDSRSB-12A for Assembled & Welded.

Construction: 16-gauge stainless steel. Casters are 4" swivel type, with lifetime lubricated wheel bearings. Rated for 580°F, 400 lbs. each.

Capacity: Designed for 18" x 26" pans or 5-on bread strap pans for Side Load Rack. (Allow ±2 inches between finished products for best results.)

Baxter's Double Rotating Rack Oven will fit:

- 2 single racks (end load or side load)
- 1 double side load rack

Note: Oven racks are designed for use with the Baxter B-Lift carrier.

As continued product improvement is a policy of Baxter, specifications are subject to change without notice.



Approved by _____ Date _____ Approved by _____ Date _____