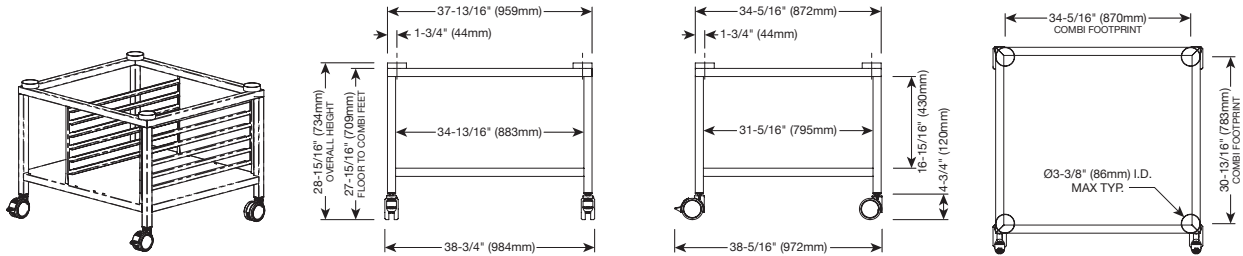


OVENS

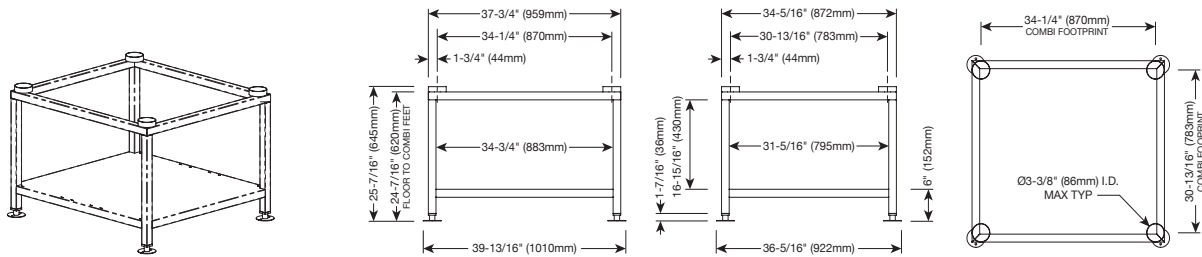
STANDS, STAINLESS STEEL (H X W X D)

	4-10	6-10	10-10	7-20	10-20
5015711 MOBILE WITH PAN SLIDES & SHELF SPACING: 2-11/16" (68MM)				✓	✓
	28-15/16" x 38-3/4" x 38-5/16" (734mm x 983mm x 972mm)				
5016083 STATIONARY WITH SHELF				✓	✓
	25-7/16" x 39-13/16" x 36-5/16" (645mm x 1010mm x 922mm)				
5016084 STATIONARY WITH PAN SLIDES & SHELF SPACING: 2-11/16" (68MM)				✓	✓
	25-7/16" x 39-13/16" x 36-5/16" (645mm x 1010mm x 922mm)				
5016085 MOBILE WITH SHELF				✓	✓
	28-15/16" x 38-3/4" x 38-5/16" (734mm x 983mm x 972mm)				
5016087 STATIONARY				✓	✓
	38-3/4" x 42" x 36-5/16" (984mm x 1067mm x 922mm)				
5016088 STATIONARY WITH SHELF		✓	✓		
	25-3/8" x 31-3/4" x 34-5/16" (645mm x 805mm x 870mm)				
5016089 STATIONARY WITH PAN SLIDES & SHELF SPACING: 2-11/16" (68MM)		✓	✓		
	25-7/16" x 31-3/4" x 34-5/16" (645mm x 805mm x 870mm)				
5016090 MOBILE WITH SHELF		✓	✓		
	28-15/16" x 30-5/8" x 36-1/4" (734mm x 779mm x 920mm)				
5016091 MOBILE WITH PAN SLIDES & SHELF SPACING: 2-11/16" (68MM)		✓	✓		
	28-15/16" x 30-11/16" x 36-1/4" (734mm x 779mm x 920mm)				
5016092 STATIONARY		✓	✓		
	38-3/4" x 34" x 34-1/4" (984mm x 864mm x 870mm)				
5014737 STATIONARY WITH SINGLE SHELF	✓				
	15-1/4" x 22-5/16" x 31-5/8" (386mm x 565mm x 802mm)				
5014738 MOBILE WITH SINGLE SHELF	✓				
	18-5/16" x 21-13/16" x 31-1/8" (464mm x 552mm x 789mm)				
5014985 STATIONARY WITH DOUBLE SHELF	✓				
	36-1/4" x 22-5/16" x 31-5/8" (919mm x 565mm x 802mm)				
5014986 STATIONARY WITH DOUBLE SHELF	✓				
	36-3/16" x 23-3/4" x 31-9/16" (919mm x 603mm x 802mm)				

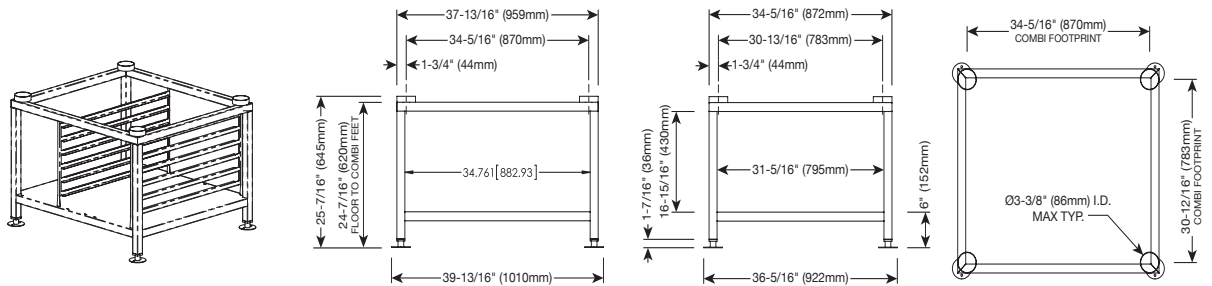
5015711
 Mobile Pan Slides & Shelf



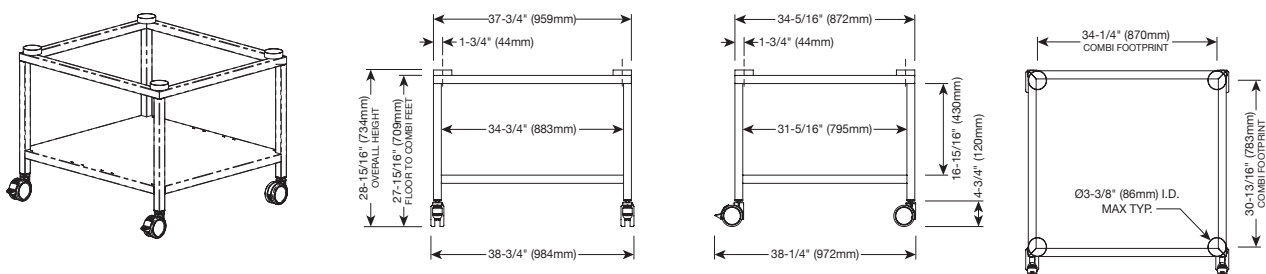
5016083
 Stationary with Shelf



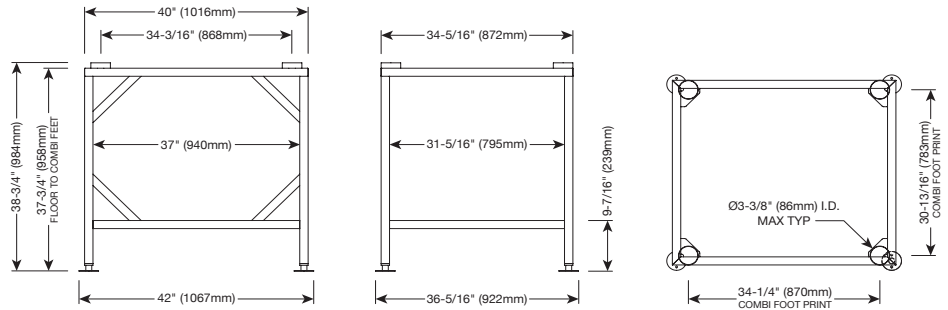
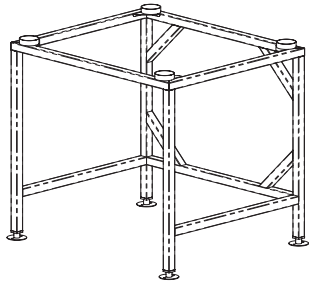
5016084
 Stationary with Pan Slides & Shelf



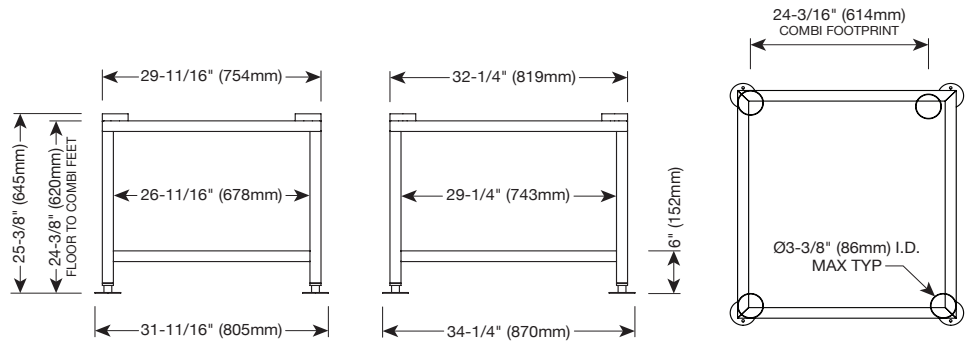
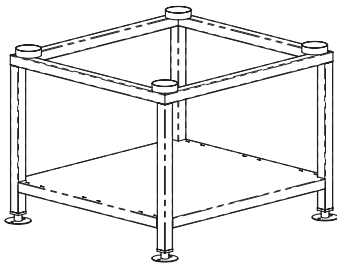
5016085
 Mobile with Shelf



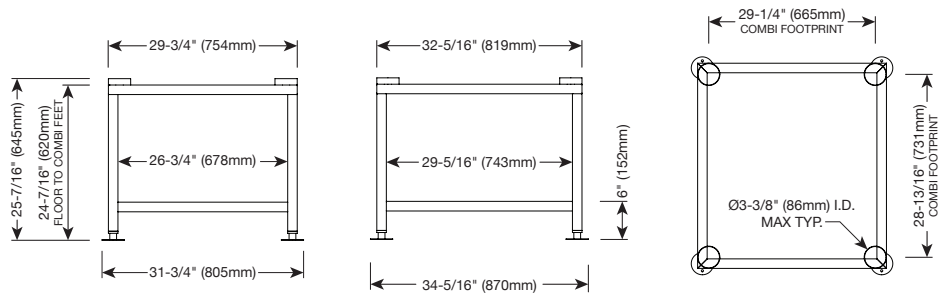
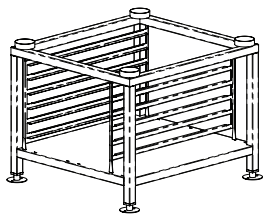
5016087
 Stationary



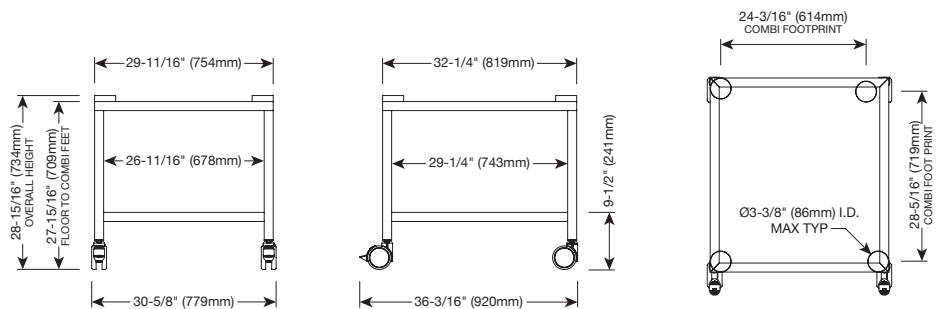
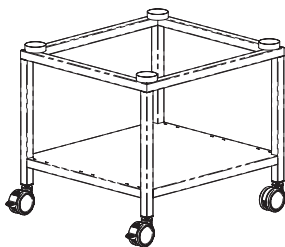
5016088
 Stationary with Shelf



5016089
 Stationary with Pan Slides & Shelf

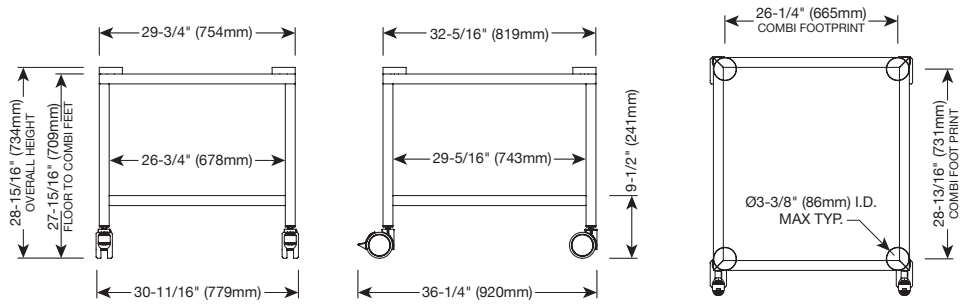
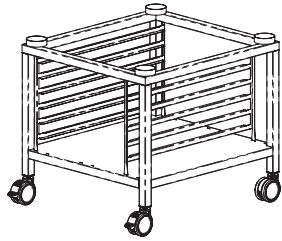


5016090
 Mobile with Shelf



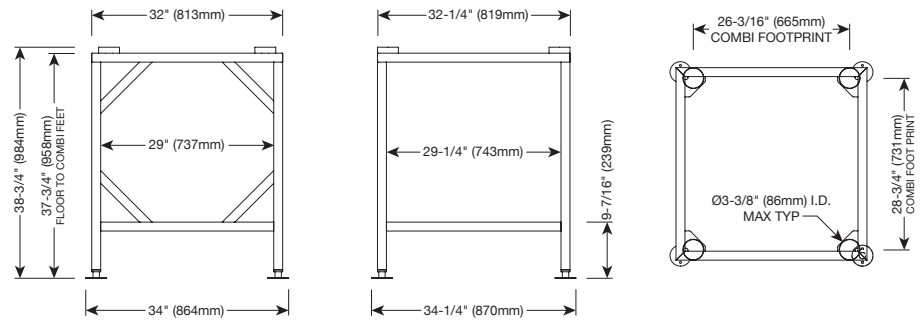
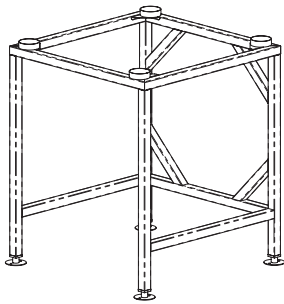
5016091

Mobile with Pan Slides & Shelf



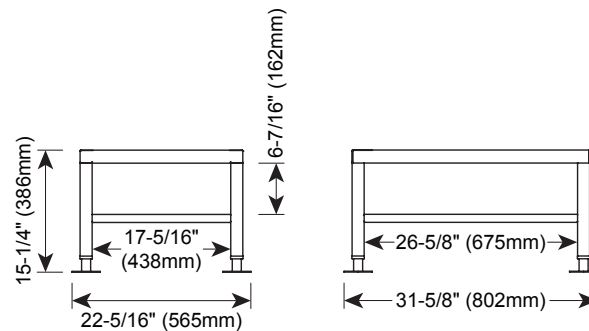
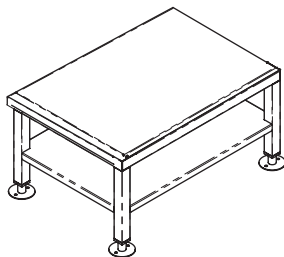
5016092

Stationary



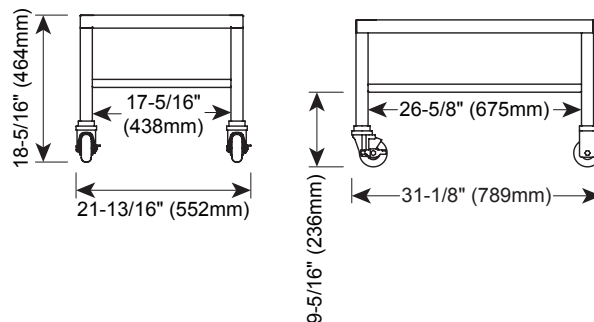
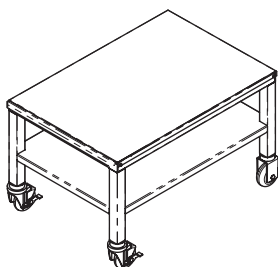
5014737

Stationary with Single Shelf

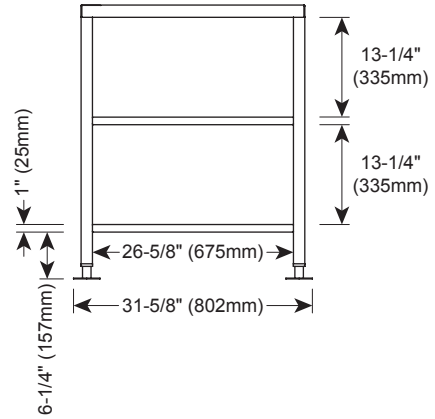
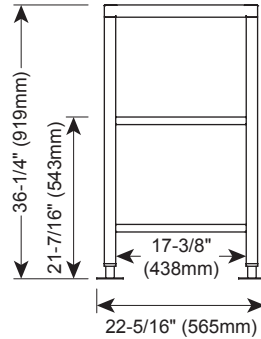
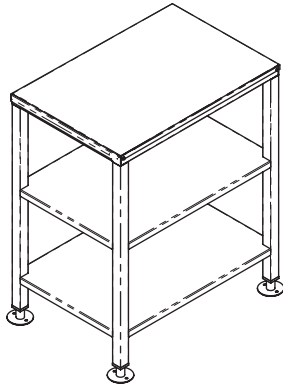


5014738

Mobile with Single Shelf



5014985
 Stationary with Double Shelf



5014986
 Stationary with Double Shelf

