

HEATING ELEMENTS (CONT.)

NOTE: All dimensions in inches

Immersion: Dishwasher/Boosters (Cont.)

| Volts | Watts | A | B | C | D | Order Number |
|-------|-------|---------------------------------|-------------------------------|---|---|--------------|
| 208 | 5000 | 15 ³ / ₈ | — | — | — | 34-1294†** |
| 480 | 10000 | 21 ³ / ₈ | — | — | — | 34-1297†** |
| 230 | 1000 | 10 | 2 | — | — | 34-1242 |
| 208 | 5000 | 19 ⁹ / ₁₆ | 2 ⁷ / ₈ | — | — | 34-1381* |
| 240 | 5000 | 19 ⁹ / ₁₆ | 2 ⁷ / ₈ | — | — | 34-1382* |
| 460 | 5000 | 19 ⁹ / ₁₆ | 2 ⁷ / ₈ | — | — | 34-1383* |
| 115 | 2000 | 10 | 2 ⁷ / ₈ | — | — | 34-1380** |

Gasket — 3" Sq. (2¹/₄" Hole Ctrs.) 32-1208

Gasket — 2⁷/₈" Sq. (2" Hole Ctrs.) 32-1259

Type CH-SD

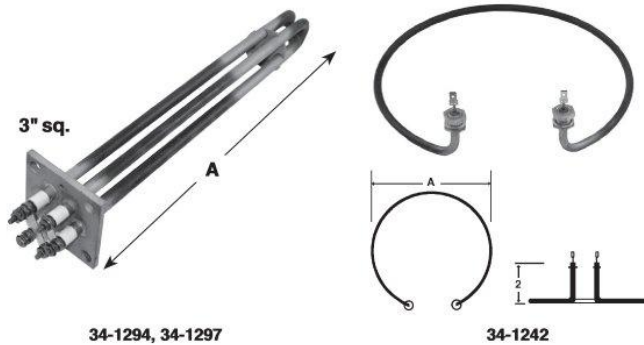
| | | | | | | |
|-----|-------|--------------------------------|-------------------------------|---|---|----------|
| 208 | 5000 | 12 ⁷ / ₈ | 2 ¹ / ₄ | — | — | 34-1109† |
| 480 | 5000 | 12 ⁷ / ₈ | 2 ¹ / ₄ | — | — | 34-1092† |
| 208 | 7500 | 18 ³ / ₈ | 2 ¹ / ₄ | — | — | 34-1110† |
| 208 | 10000 | 20 | 2 ¹ / ₄ | — | — | 34-1111† |
| 240 | 5000 | 12 ⁷ / ₈ | 2 ¹ / ₄ | — | — | 34-1091† |

- Unit Supplied w/Thermowell
- No Thermostat

*Gasket (32-1259) included.

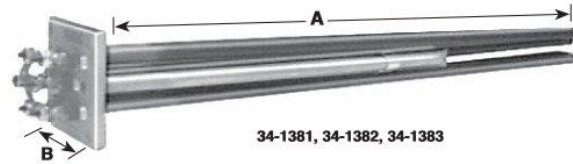
**Gasket (32-1208) not included.

†3 Phase Element.

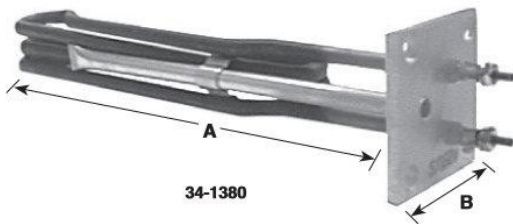


34-1294, 34-1297

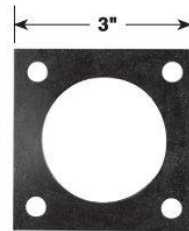
34-1242



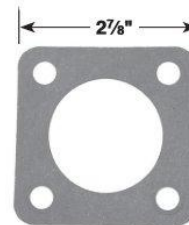
34-1381, 34-1382, 34-1383



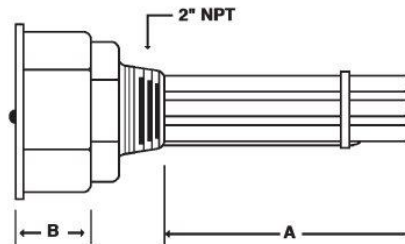
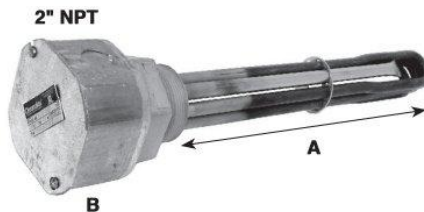
34-1380



32-1208



32-1259



34-1091, 34-1092, 34-1109, 34-1110, 34-1111

| Description | Order Number |
|--|--------------|
| 2" NPT MOUNTING NUT & WASHERS — To prevent leakage when installed through a tank wall | 26-1077 |



4

HEATING ELEMENTS

GENERAL USE

HEATING ELEMENTS (CONT.)

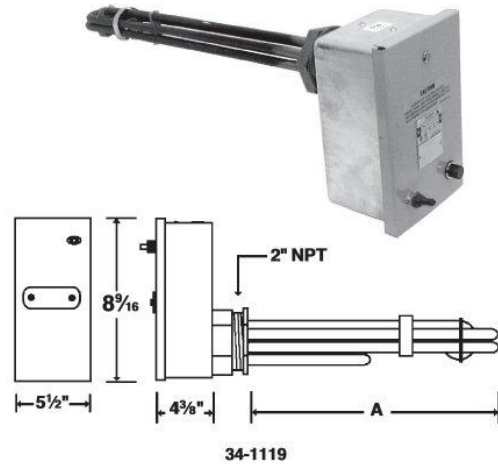
NOTE: All dimensions in inches

Immersion: Dishwasher/Boosters (Cont.)

| Volts | Watts | Phase | A | B | C | D | Order Number |
|--------------------|-------|-------|--------------------------------|---|---|---|--------------|
| Type DWH-MR | | | | | | | |
| 208 | 7500 | 3 | 18 ⁷ / ₈ | — | — | — | 34-1119† |

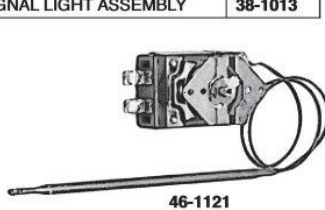
- Built-in adjustable Thermostat 100-210° F.
- Built-in Overheat Cutout with manual reset.
- Built-in Contactor.
- Terminal enclosure has a hinged, gasketed cover that is moisture and spray resistant.
- Pilot Light and On/Off Switch have easy access.
- These Heaters are supplied with Clamping Nut & Gaskets for optional mounting in tanks with walls up to 1/4" thick. Mounting hole requires 2³/₈" Opening.
- 208V units are completely wired.

†3 Phase Element



Parts For DWH-MR Heaters

| Description | Order Number |
|-----------------------|--------------|
| THERMOSTAT | 46-1121 |
| OVER HEAT CUT OUT | 48-1023 |
| ON/OFF SWITCH | 42-1010 |
| SIGNAL LIGHT ASSEMBLY | 38-1013 |



46-1121



48-1023



42-1010



38-1013

**BLIND DROP SHIPMENTS
AT NO EXTRA CHARGE**

No inventory requirements!

Ship direct to your customer for faster repairs.

