

Project: _____ Location: _____ Item #: _____ Quantity: _____

Standard Features

- 316 stainless kettle liner (up to 40 gallon, 304 40+ gallon)
- 304 stainless kettle jacket
- Kettle Protection System
- Thermostat temperature control, 150°F-260°F
 - Pressure relief valve
 - Air eliminator valve
 - Pressure gauge
 - Jacket-water fill and sight glass
 - Automatic low water cutoff and indicator light
 - Safety pilot control
- Full body insulation (3" - 14") between kettle jacket and outer casing
- Electronic ignition, 120V standard
- 304 stainless outer casing seam welded to the 3" reinforced radius lip
- 304 stainless, seam welded control console
- 304 stainless, reinforced gear box
- 304 stainless, seam welded tubular frame construction
- Self-locking, permanently lubricated, single reduction worm gear case
- Adjustable flanged feet

Optional Features

- Single or dual faucet with bracket & 12" or 18" swing nozzle*
- 60" flexible spray hose assembly (vinyl or stainless) for dual or single faucet*
- Faucet bracket (ALFBST)
- Automatic water filling meter (ALAC-WS)
- Mixer/agitator lid, two speed (Call for pricing)
- Correctional Package*
- 316 liner AL316LNR

* Call AccuTemp for additional information

Electrical Options

120V, 208V, 240V

Short Spec

AccuTemp Edge Series gas powered tilting kettle, 2/3 jacketed, model ALTLGB-XX (20-80 gallon capacity). Seamless deep-drawn 316 kettle liner (up to 40 gallon, 304 40+ gallon) with integrally formed radius lip and 304 stainless steel kettle jacket, pressure relief valve, air eliminator valve, pressure gauge, jacket-water fill valve, automatic low water cut off and indicator. Self-locking worm gear tilt mechanism, 2" tubular support frame. Tilting cut-off switch. Seam welded control console with thermostat temperature control, 150°F to 260°F (65°C to 126°C). Adjustable flanged feet.

Other Approvals

GAS-FIRED



Accessories

- Care Kit (ALKCK-L)
- Electric timer with buzzer (ALAT)
- Gas quick disconnect 1/2"*
- Flexible gas hose 1/6" x 60" (ALTQDH)
- Draw off drain hose (ALDIH)
- Disc strainer; solid or perforated, 1/8" or 1/4"*
- Measuring strip (ALMS)
- Lift-off cover (ALLCT-S (5-25 gal) OR ALLCT-M (30-60 gal))
- One piece actuator-assisted, 20-80 gal. (ALACT-M)
- Single basket 20-40 gal. (ALSBI-M)
- Tri-basket insert (ALTBI-S)
- Nylon bag insert with spreader ring (ALNBI)
- 2" or 3" draw off valve, compression or ball type fitting*

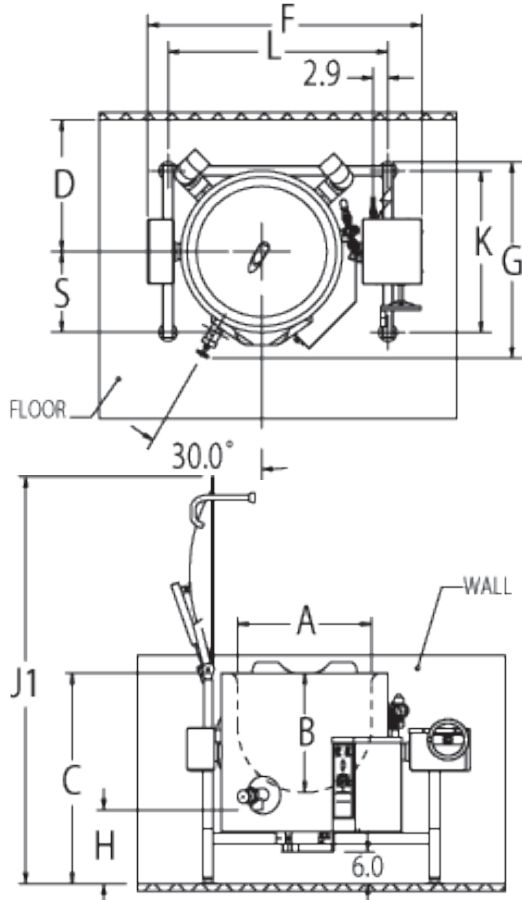
* Call AccuTemp for additional information



Model ALTLGB-20 shown with optional draw off valve

Gal.	BTU RATING		Natural	Propane	Electrical
	Natural	Propane			
20	63,200	59,600	Supply Piping: 1/2" IPS	Supply Piping: 1/2" IPS	120 volt (standard) 208/240 volt (optional) 50/60 Hz 1 Phase 1 Amp
30	66,700	67,800			
40	79,900	83,100	Supply Piping: 3/4" IPS	Supply Piping: 3/4" IPS	
60	106,800	108,500	Supply Pressure: 5-7" W.C. (nominal)	Supply Pressure: 12-14" W.C. (nominal)	
80	131,400	131,100	Outlet Pressure Factory Setting: 3.5" W.C.	Outlet Pressure Factory Setting: 9.0" W.C.	

MODEL ALTGLB DIMENSIONS*															
Gal.	A	B	C	C1	D	F	G	H	J1	K	L	S	TI	XI	XO
20	22.0	16.0	32.7	7.6	24.1	50.2	35.4	13.0	64.3	28.1	39.5	14.4	21.7	10.9	27.0
30	23.0	20.3	36.6	8.6	24.6	51.2	36.3	12.7	69.2	29.1	40.5	14.9	23.2	13.3	29.5
40	25.5	22.3	40.1	9.2	25.8	53.8	38.4	14.0	75.5	31.6	43.1	15.7	25.0	14.9	32.3
60	29.5	25.0	42.8	9.2	27.8	57.8	42.1	14.0	82.2	35.6	47.1	17.4	26.3	15.7	35.8
80	32.5	27.6	45.8	9.0	29.3	60.8	45.3	14.2	88.4	38.6	50.1	18.3	28.3	17.3	37.3



*Dimensions on these drawings are applicable when using an optional 2" diameter draw-off valve. If a 3" diameter draw-off valve is required, contact AccuTemp for applicable dimensions.

Unit is supplied with 6' cord with plug.

